

# Sliding door brake 315

## S34 / S42 / S26/ S1200

V. 10.0

2022.03






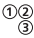




Subject to technical changes.

V.10.0 Productupdate 315

## Content

- 02 Content and tools
- 03 Product information
- 04 Accessories
- 05 Cutting dimensions
- 07 Installation instruction
- 09 Determine positioning length
- 10 Positioning Install
- 11 Additional accessories
- 12 Function test / possible sources of error

## Symbols

-  Risk or danger!
-  Advice and information
-  Directional data / movement
-  Follow the order
-  Additional information
-  „yes“ and „right“
-  „no“ and „wrong“
-  Do not use a cordless screwdriver

(without claim of completeness)

Screwdriver set

Allen key 2 mm

Measuring instruments

Pencil

# Product information

This manual is part of the delivered product and describes the safe and proper use.

## Preparation

This manual is part of the product and describes the safe and proper installation of the system. Please read the instructions carefully before installation

Please note that the assembly should only be done by qualified and trained staff in strict compliance with all details indicated in the assembly instruction.

Improper installation in variation from manufacturer's specification may cause defects and danger, thus endangering the safe fixing of the product as well as the safety of the prospective user. The liability of the manufacturer shall be excluded in case of defects and consequential damages resulting from incorrect assembly of this product.

Please check the completeness of the delivered parts and check carefully if any transport damages are visible. If any parts are damaged or lost, please immediately contact the responsible supplier.

It is assumed that you have exactly identified all cutting dimensions according to the measurement instruction.

## Designated use

The prerequisite for the intended use of our products is the professional installation according to our installation instruction. Sufficient fittings must be available and durably installed to all relevant places. The function of the fittings must not be hindered or altered during installation.

Special solutions are only possible in consultation with your supplier.

## Incorrect use

Risk or danger may occur in the following cases:

- the door system has improperly been installed or maintained
- the safety and installation instructions have not been followed.
- after improper installation or inadequate fixing (e.g. to parts of buildings)
- the maximum weight of the doors has been exceeded.
- improper shock and case loads or other additional loads on the fittings have occurred
- the fittings have been used outside.
- body parts or objects got into the closing edges or door runnings during use of the door wing.
- the door system is not used as intended.

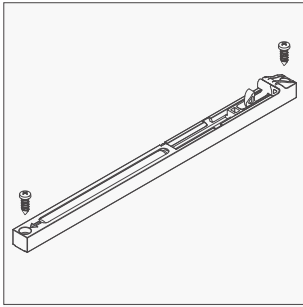
## Structural modifications

Structural modifications that are not offered as an accessory may only be attached or installed in consultation with your

Subject to technical changes.

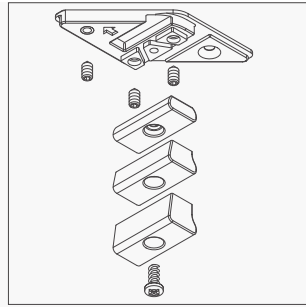
### Liability

As defined in the „Law of Liability for Products“ (§4 Prod-HG), for the liability of the manufacturer, for his products, the information in this booklet has to be regarded. The disregard of this manual, releases the manufacturer from his liability.



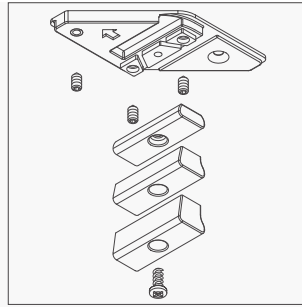
1\_ 10.01.6xx

Sliding door brake 315  
10.01.670 (31 - 60 kg)  
10.01.680 (61 - 80 kg)



2\_ 10.01.634

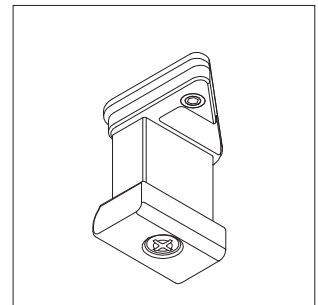
Positioning for sdb S34  
with top cover:  
small, medium, large



3\_ 10.01.642

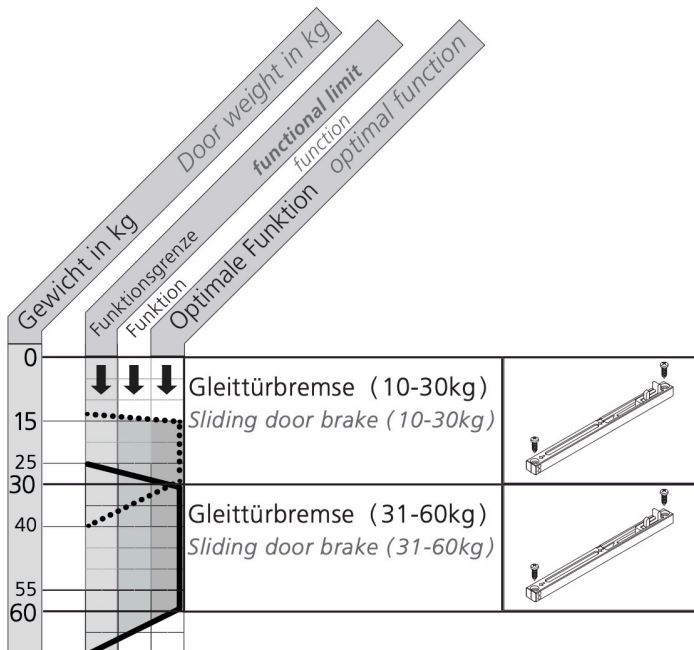
Positioning for sdb S42  
with top cover:  
small, medium, large

without illustration:  
Bottom track stopper  
Stopper for top track  
Stop plate for sdb



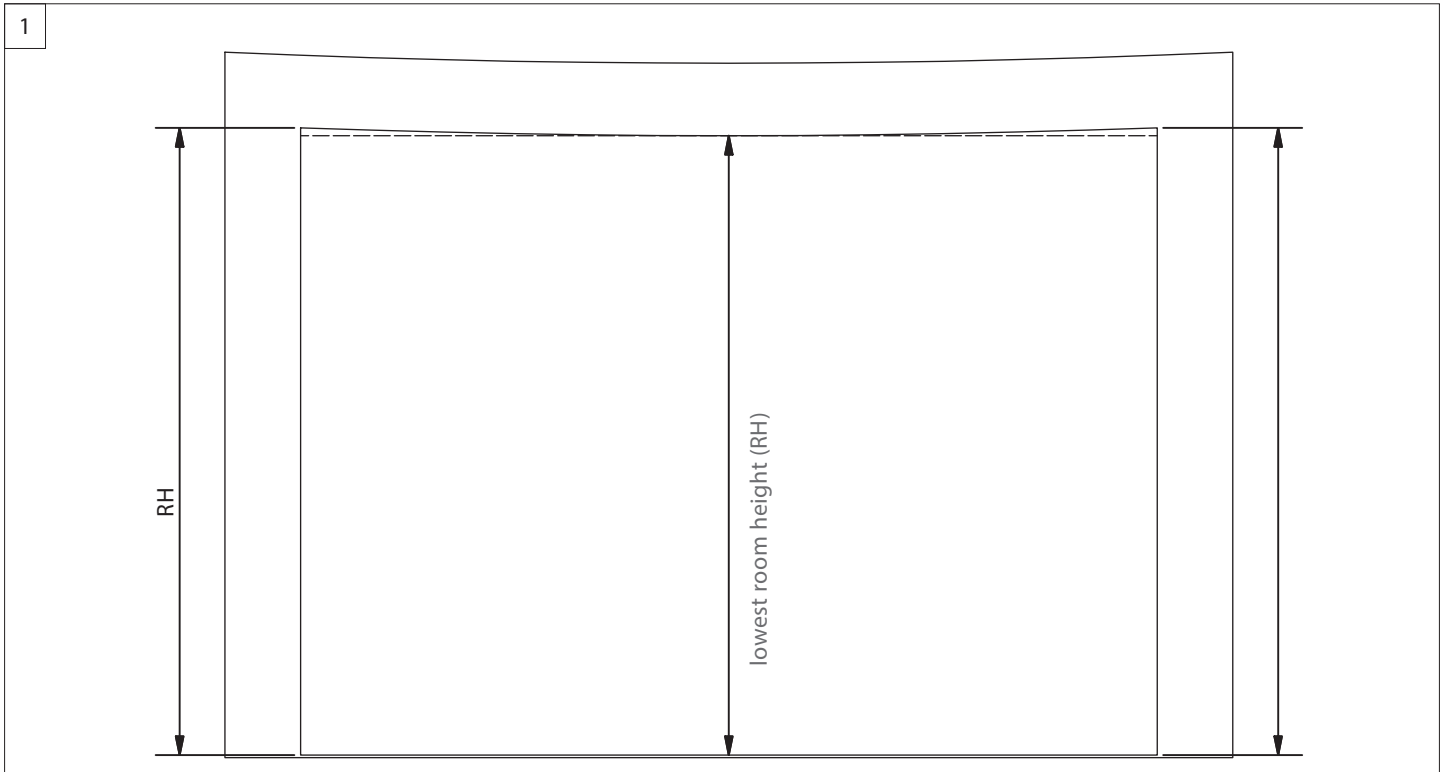
7\_ 10.01.590

Positioning for sdb S26  
with top cover

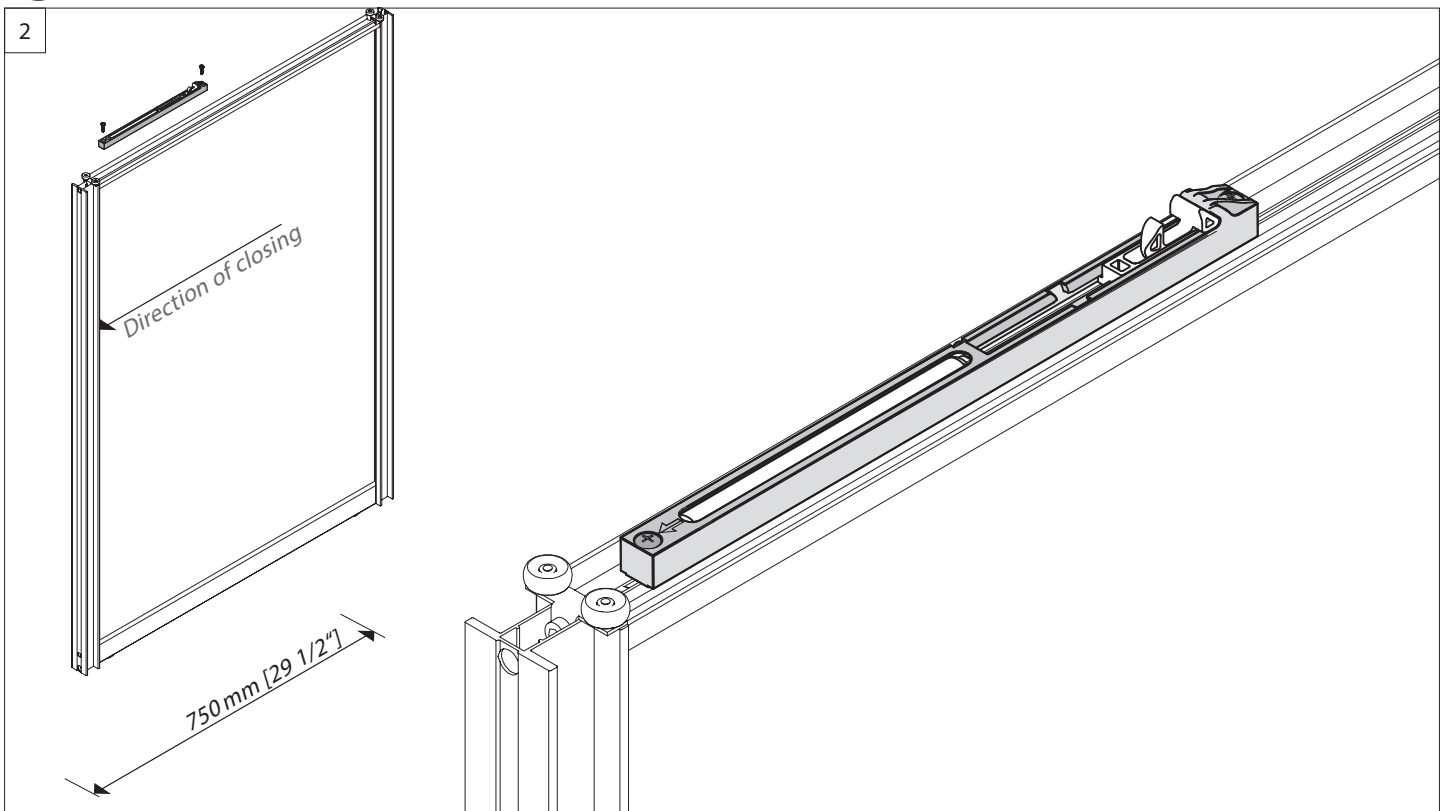


# Cutting dimensions

## Preparation



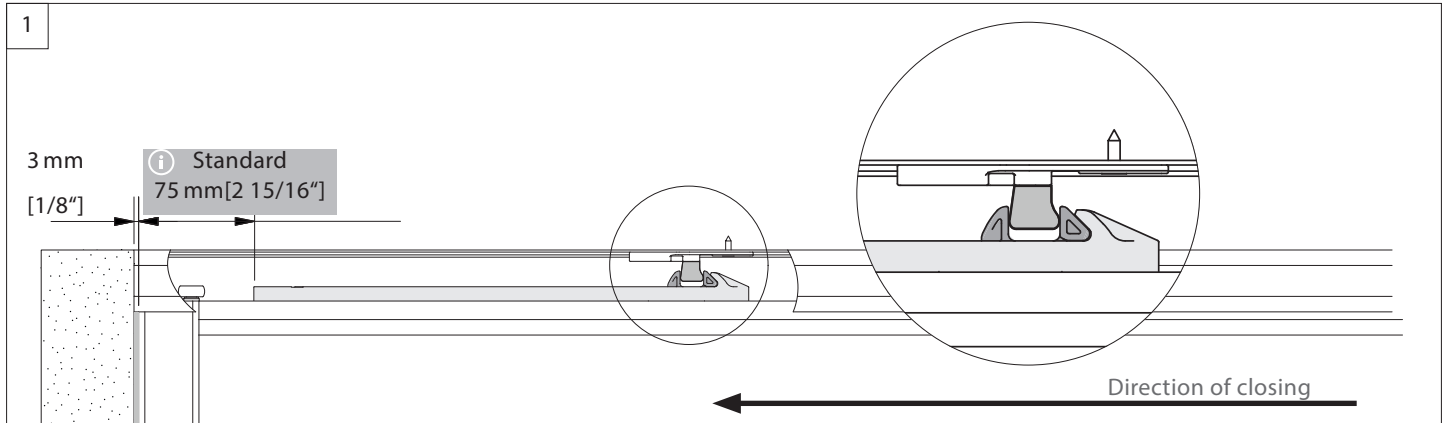
Measurement points: left, center and right. Select the smallest amount for the height deduction.



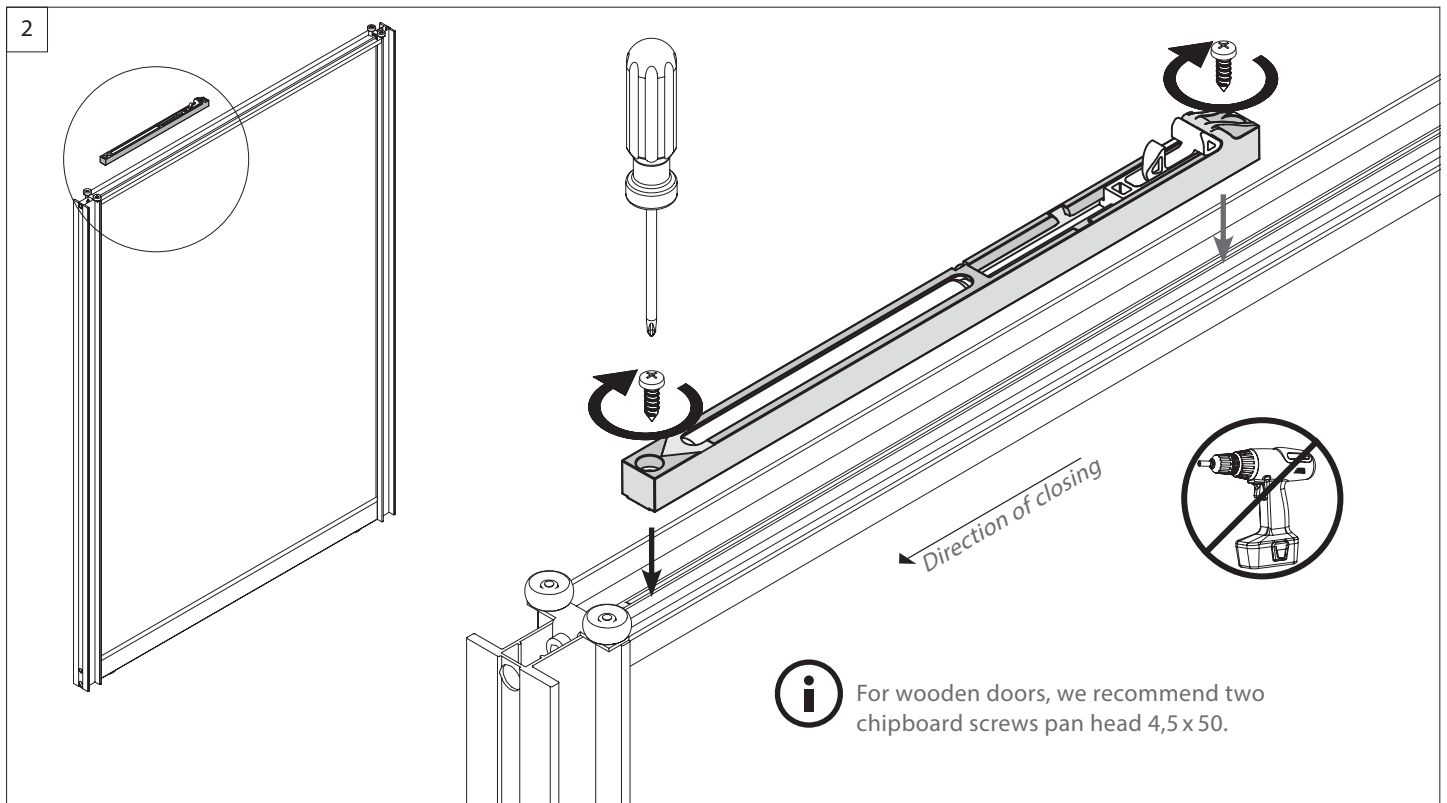
Minimum length of the horizontal profile 750 mm.. A second sliding door brake is possible.

# Installation instruction

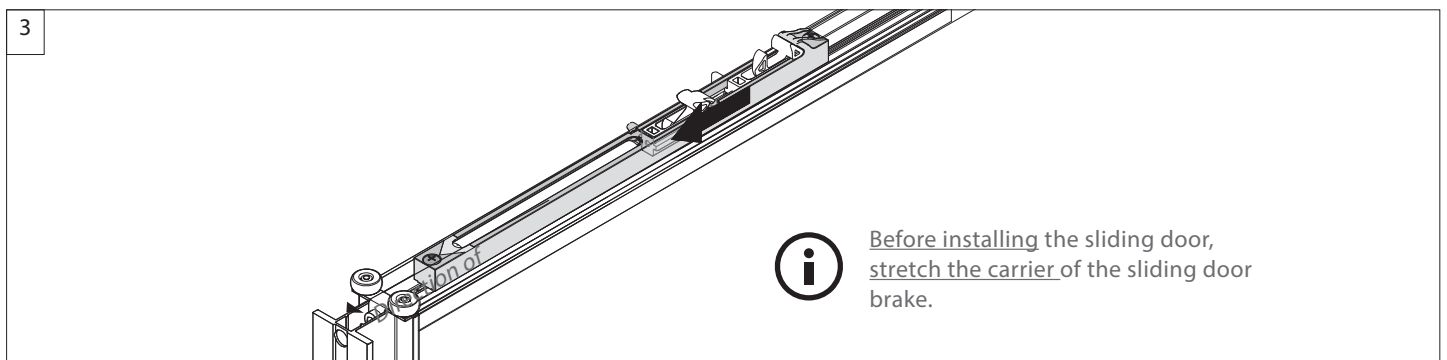
## Sliding door brake



Positioning of the sliding door brake.




Installation of the sliding door brake.



# Installation instruction

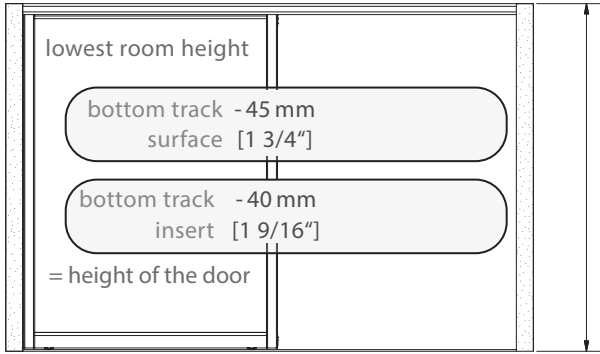
## Determine positioning length S26

1

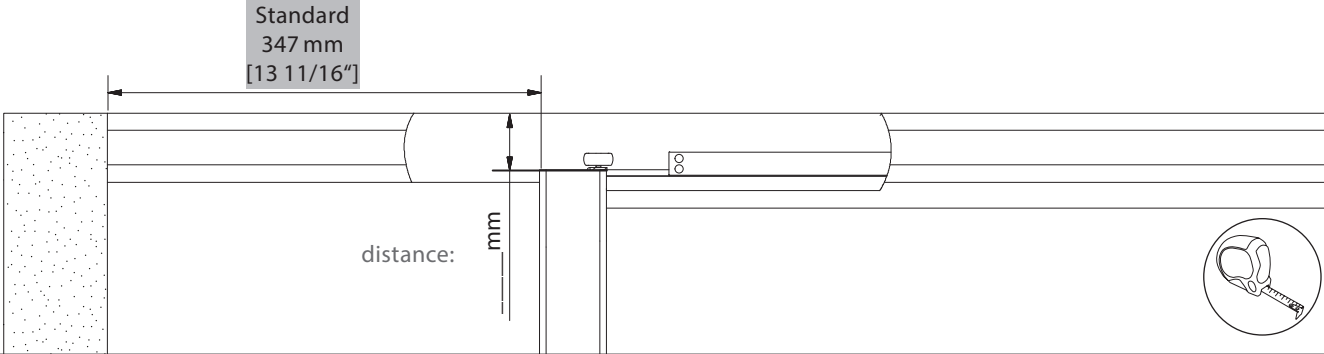


Attention:  
Adjust the door before installing the sliding door brake.

If there is no wall stop, it is necessary to use a bottom track stopper.



2

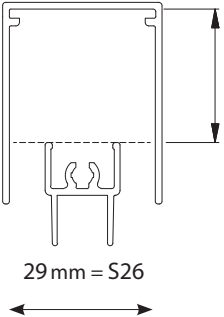
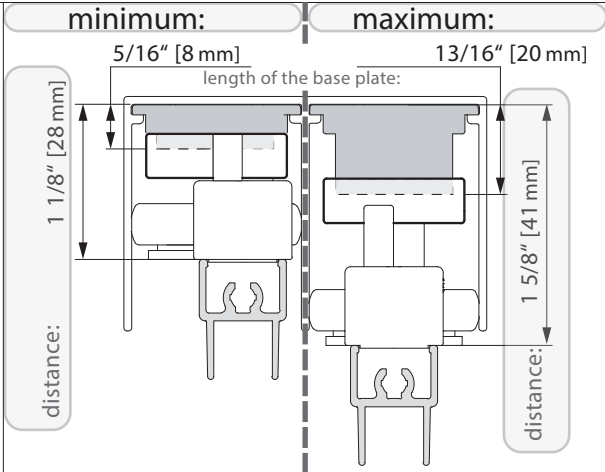
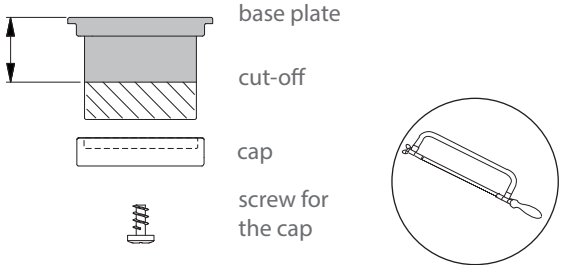


Slide the door into position to determine the correct pin length

3 **System 26 (symm / asym)**

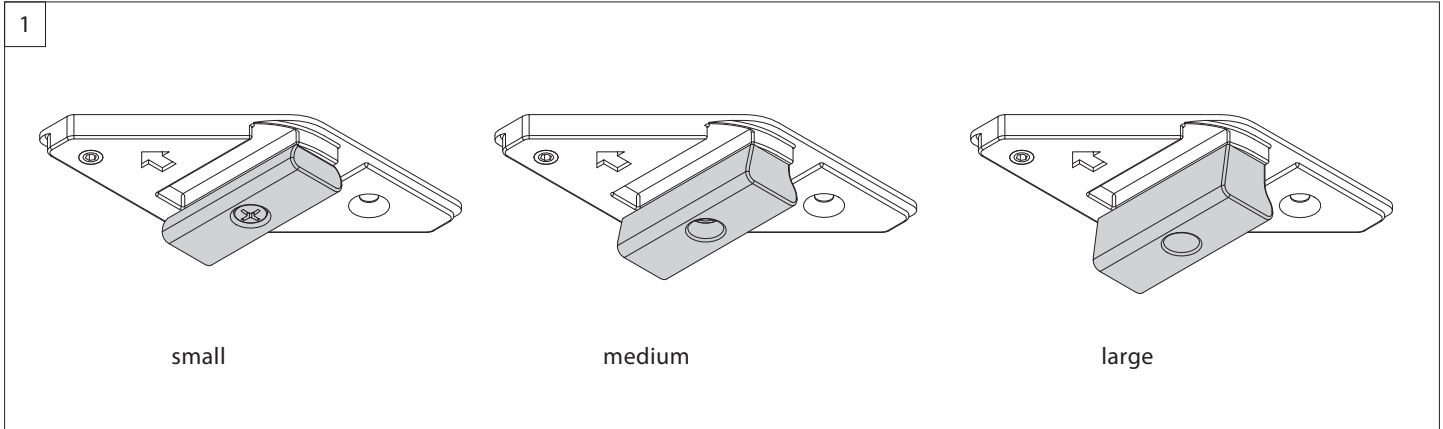
- ① Measure the distance  
⇒ from the upper edge of the door to top track
- ② Determine the length of the base plate  
⇒ (according to the table)
- ③ Shorten the base plate ⇒ using the hacksaw
  - Make a horizontal cut
- ④ If necessary, remove the burr

distance:	⇒	base plate:
5/16" [28-29 mm]	⇒	5/16" [8 mm]
1 3/16" [30 mm]	⇒	3/8" [9-10 mm]
1 1/4" [31-32 mm]	⇒	7/16" [10-11 mm]
1 5/16" [33-36 mm]	⇒	1/2" [12-13 mm]
1 3/8" [35 mm]	⇒	9/16" [14-15 mm]
1 7/16" [36-37 mm]	⇒	5/8" [16 mm]
1 1/2" [38 mm]	⇒	11/16" [17-18 mm]
1 9/16" [39-40 mm]	⇒	3/4" [19 mm]
1 5/8" [41 mm]	⇒	13/16" [20 mm]

# Installation instruction

## Determine positioning length



2

**System 34**  
symm / asym

S34	:
	distance:
small	28-31
medium	31-35
large	35-38

**System 42**  
S1200

S1200	:
	distance:
small	28-31
medium	31-35

3

**System 42**  
symm / asym

S42	:
	distance:
small	25-28
medium	28-32
large	32-35

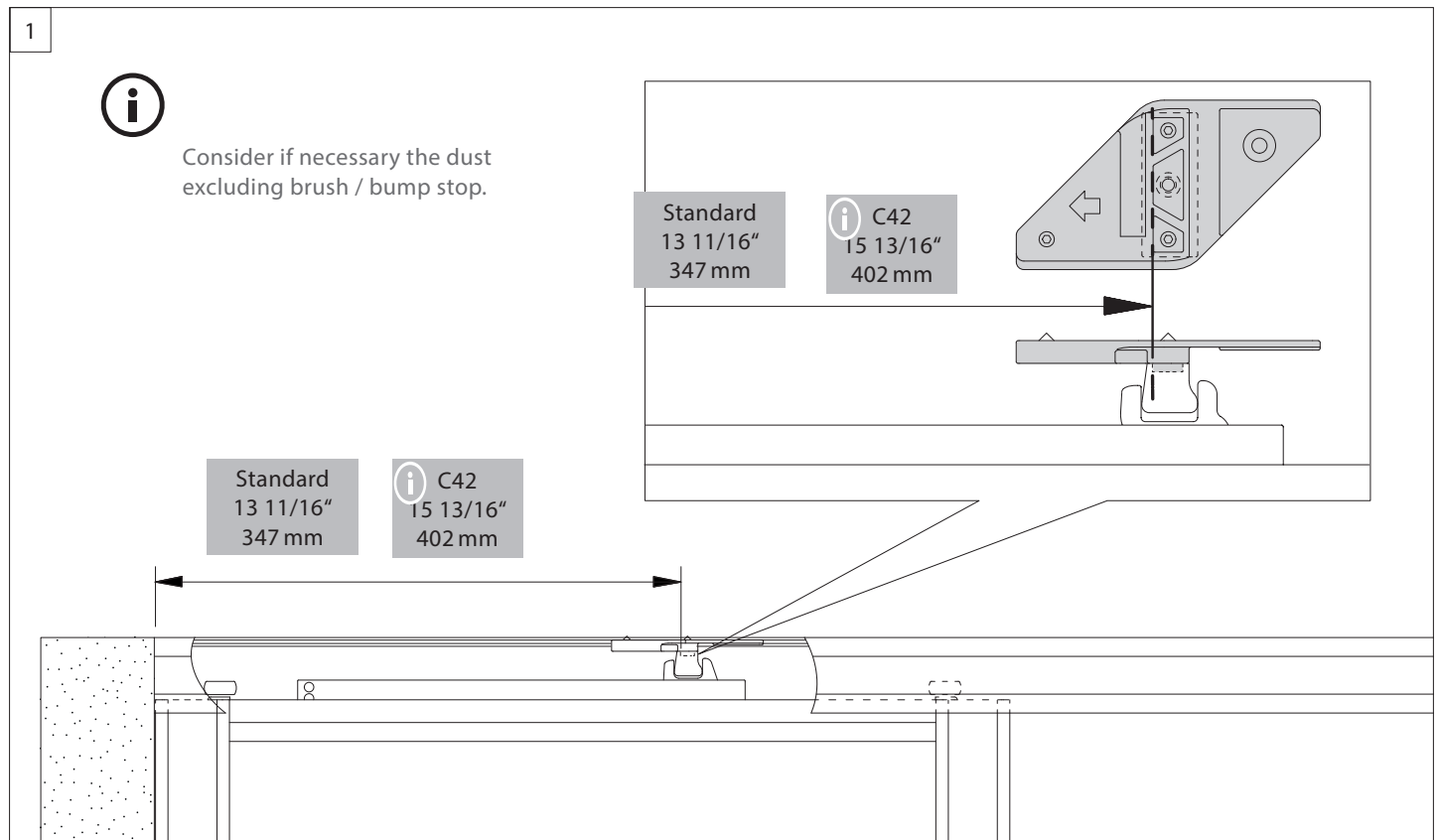
**System 42 / 34**  
wooden door

wooden door	:
	distance:
small	28-31
medium	31-35
large	35-38

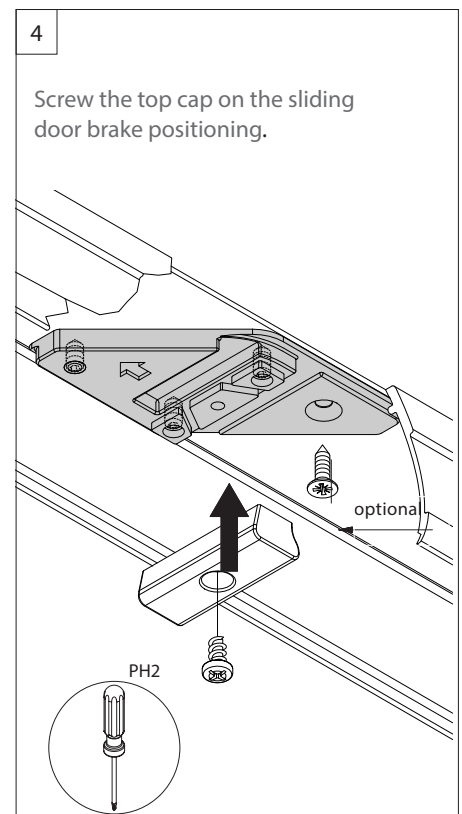
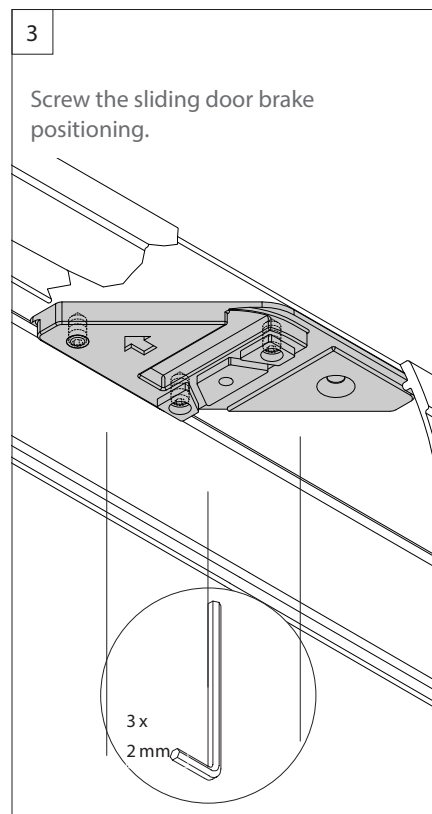
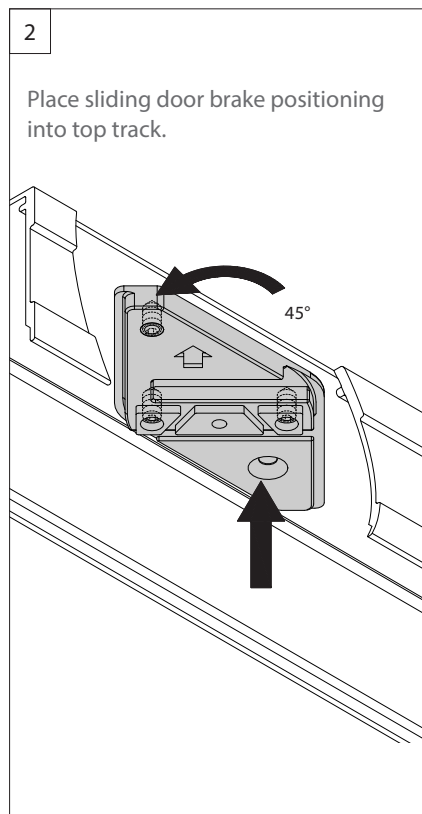


# Installation instruction

## Positioning install

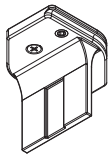


Standard size for sliding door brake installation.



# Additional accessories

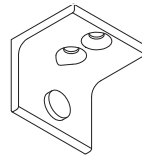
Accessories S42 / S34 / (S 26)



Stop plate for sliding door brake

10.01.350 S34

10.01.355 S42



Stopper for top track

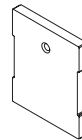
10.08.280 S34

10.08.270 S42



Stopper for bottom track

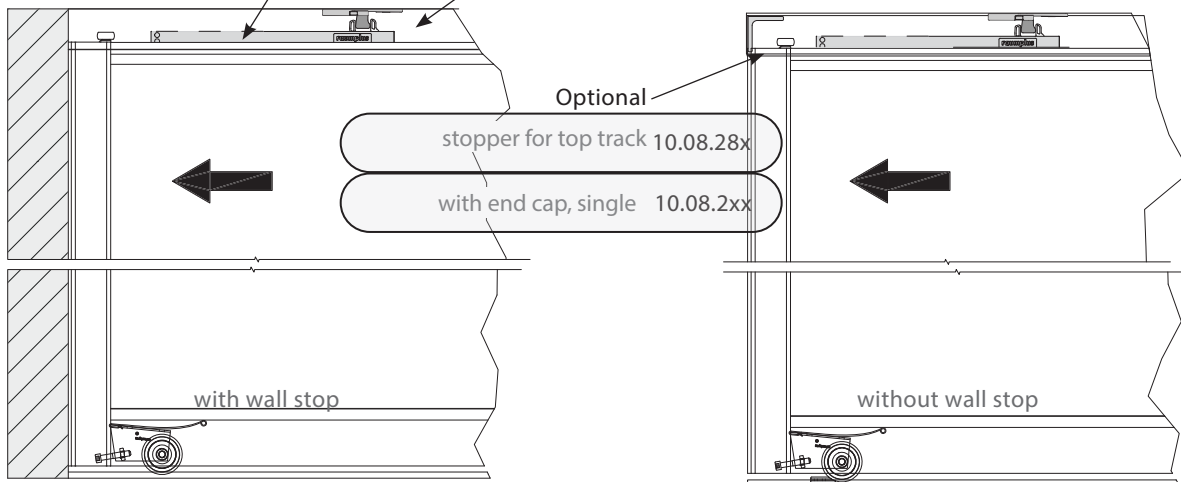
10.01.03x



End cap, single

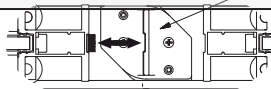
10.08.2xx

Top track implied) Sliding door brake Positioning for top tracks

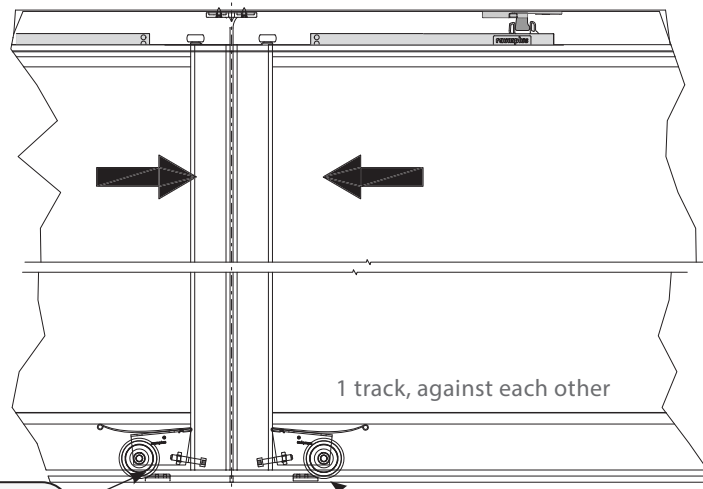


Bottom track

Stop plate for sliding door brake 10.01.35x



You can use the stop plate only in combination with the stopper for bottom track.

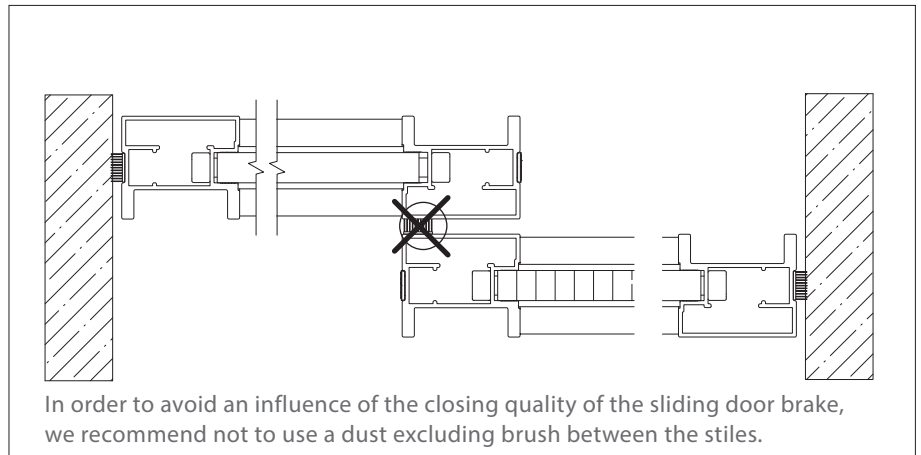
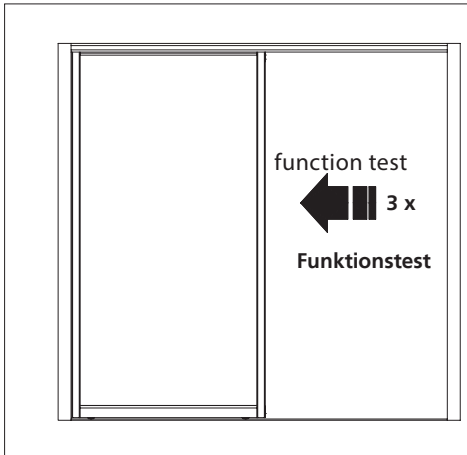


Stopper for bottom track

10.01.03x

Stopper for bottom track

# Function test



Trouble shooting	
Error	Troubleshooting
The sliding door does not brake.	Stretch the carrier of the sliding door brake.
The sliding door does not brake properly, it's grinds while closing.	Make sure that the top cap has the right size.
The sliding door closes too early or too late.	Correct the position of the positioning.
Imprecise overlap of the vertical profiles for systems with more than two sliding doors.	Make sure that the bottom stopper is on the correct position.
Noise when opening or closing the sliding door.	Make sure that the positioning is mounted at right angles.
	Make sure that the screws of the positioning are not too tight.
	Turn the door height adjustment max. one step down to increase the distance between driver and cut surface of the position.
The sliding door closes too slowly.	Make sure the floor is flush, if necessary exchange the sliding door brake. For slopes you need a sliding door brake for higher weight category.