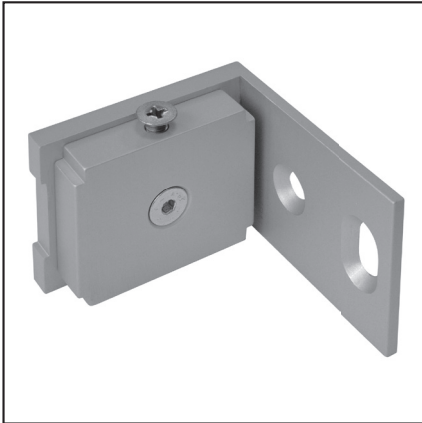


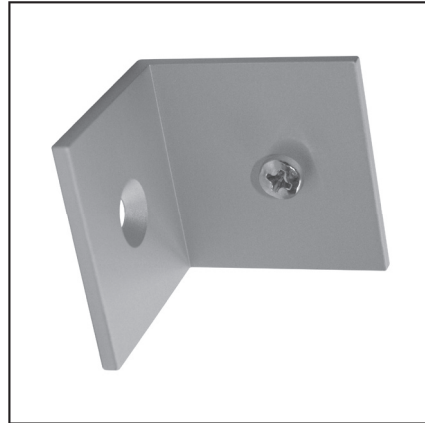
# SLIDING DOOR SYSTEMS: INSTALLATION INSTRUCTIONS WALL-MOUNTED END CAP AND L-BRACKET (S42)

V2017.2

## ACCESSORIES:



1\_



2\_

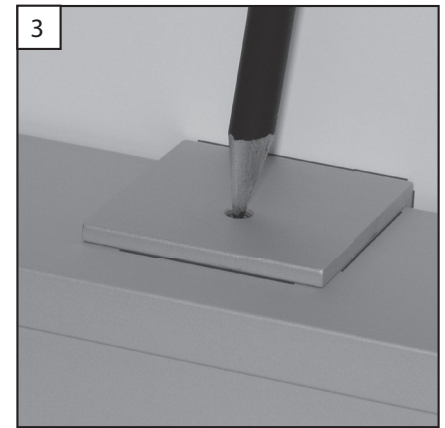
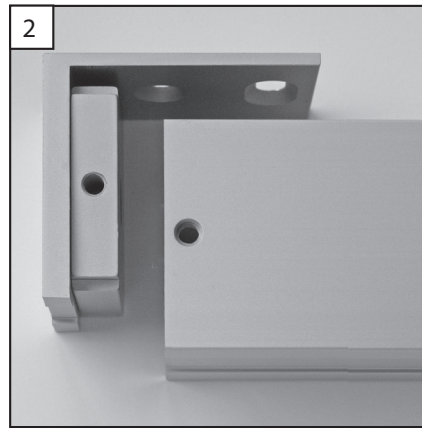
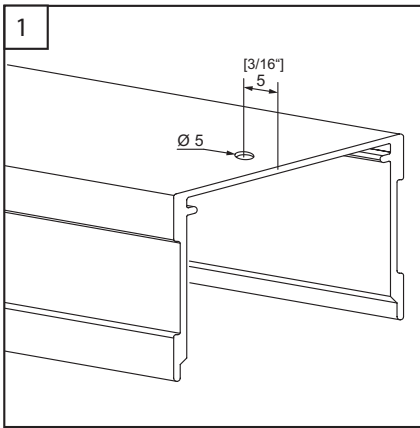
1\_ Wall-mounted end cap for single top track for S42 system\_ right or left version is achieved through a 180° turn of the installation plate. Wall fasteners not included.

2\_ L-bracket for S42 wall-mounted single top tracks\_ wall fasteners not included. Use every 4'-0" [1219mm]

## TOOLS:

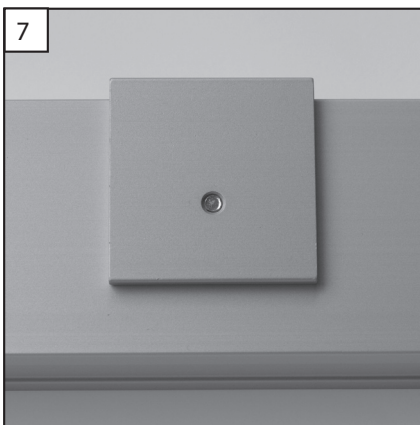
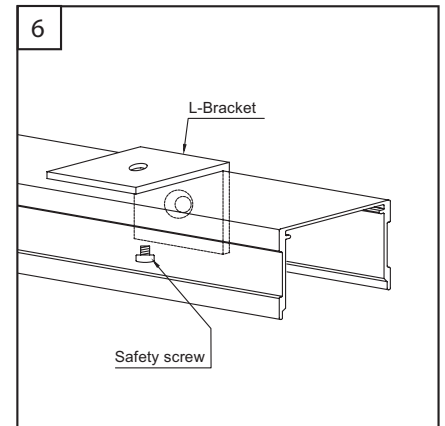
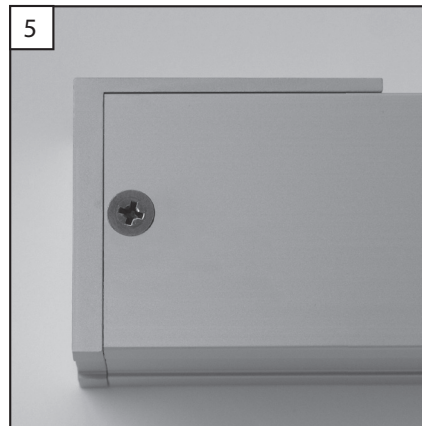
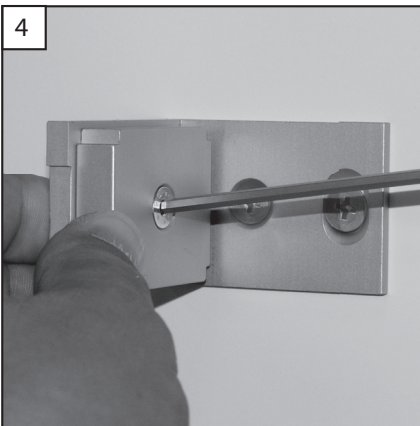
Screwdriver (phillips)  
Drill  
Allen key set  
Pencil

## ASSEMBLY:



\_ Determine the length and height of the position of the top track. Mark the attachment holes of the wall-mounted End cap for single top track towards the wall, then drill and assemble them.

\_ Mark the center point of the holes for the safety screw in the middle and 5mm [3/16"] from the side edge (fig.\_1) on the top track (check the markings) and drill them (fig.\_2).



\_ Mount the top track. Position the L-bracket for single top track at the distance of a door width on the top track and mark it (fig. 3). Remove the top track and drill the holes in the top track and wall corresponding to the markings. Fixate all L-bracket for single top tracks on the wall.

\_ Remove the assembly plate of the wall-mounted End cap for single top tracks with the Allen key. Reinstall the top track and mount the assembly plate.

\_ Now fixate the safety screws for the wall-mounted End cap for single top track from above (fig.. 5) and, for all L-bracket for single top tracks, from below through the top track (fig. 6 and 7).