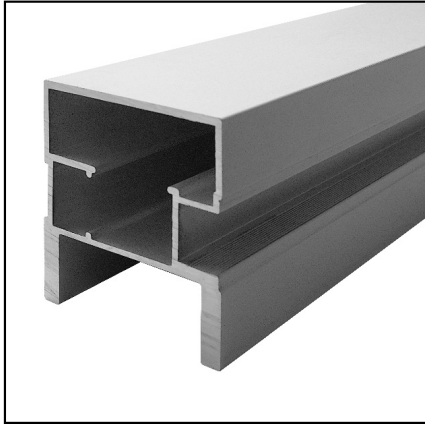


SLIDING DOOR SYSTEM: ASSEMBLY INSTRUCTION

LOCK SERIES 300 AND SERIES 3000 TO THE BACK

Version 1_September 2008

ACCESSORIES:



1_

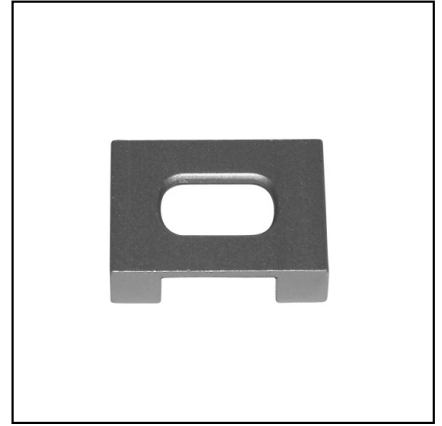
1_stile S300 (15.51.0xx) and S3000 (13.51.0xx)_

For each door two asymmetric stiles are necessary.



2_

2_lock S300 S3000 to the back (10.01.150)_



3_

3_locking plate for lock S300 (10.01.153) and S3000 (10.01.151)_

TOOLS:

rivet gun

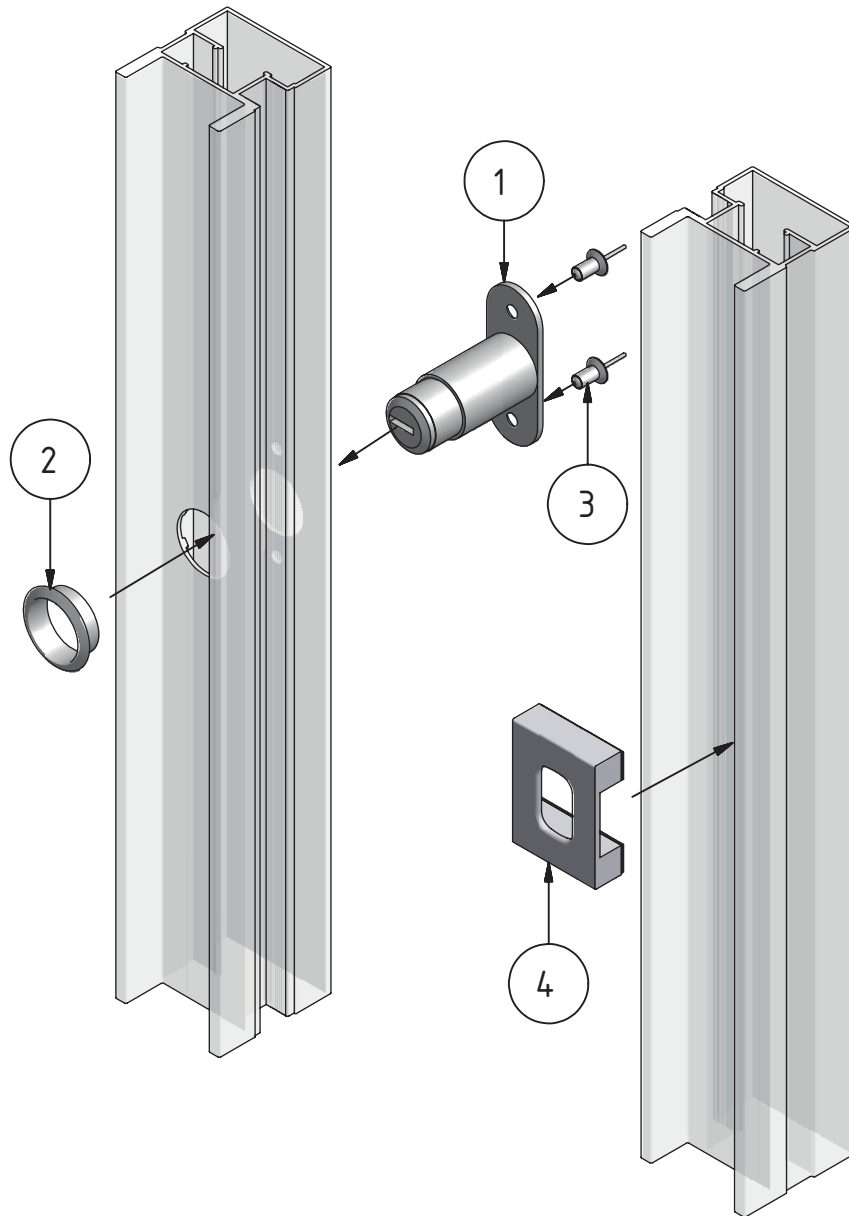
drill, 4 mm and 20 mm

Subject to technical changes.

raumplus

DETAIL DRAWING

LOCK S300 / S3000 TO THE BACK

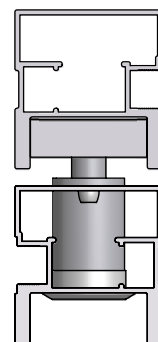
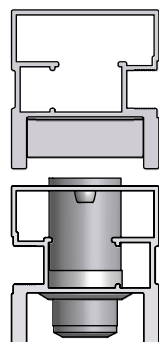
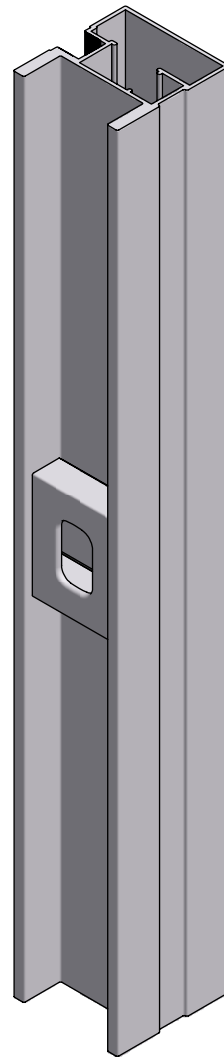
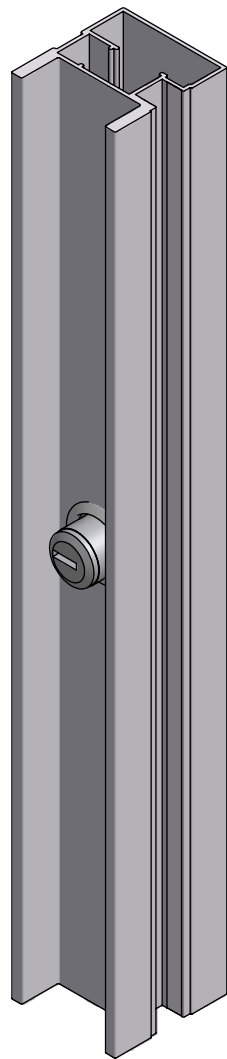


PARTS LIST

OBJECT	PART NUMBER	DESCRIPTION
1	10.01.150	lock series 300 / series 3000
2	10.01.150	collar
3		blind rivet (120°)
4	10.01.151	locking plate

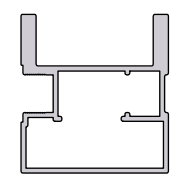
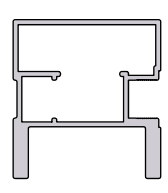
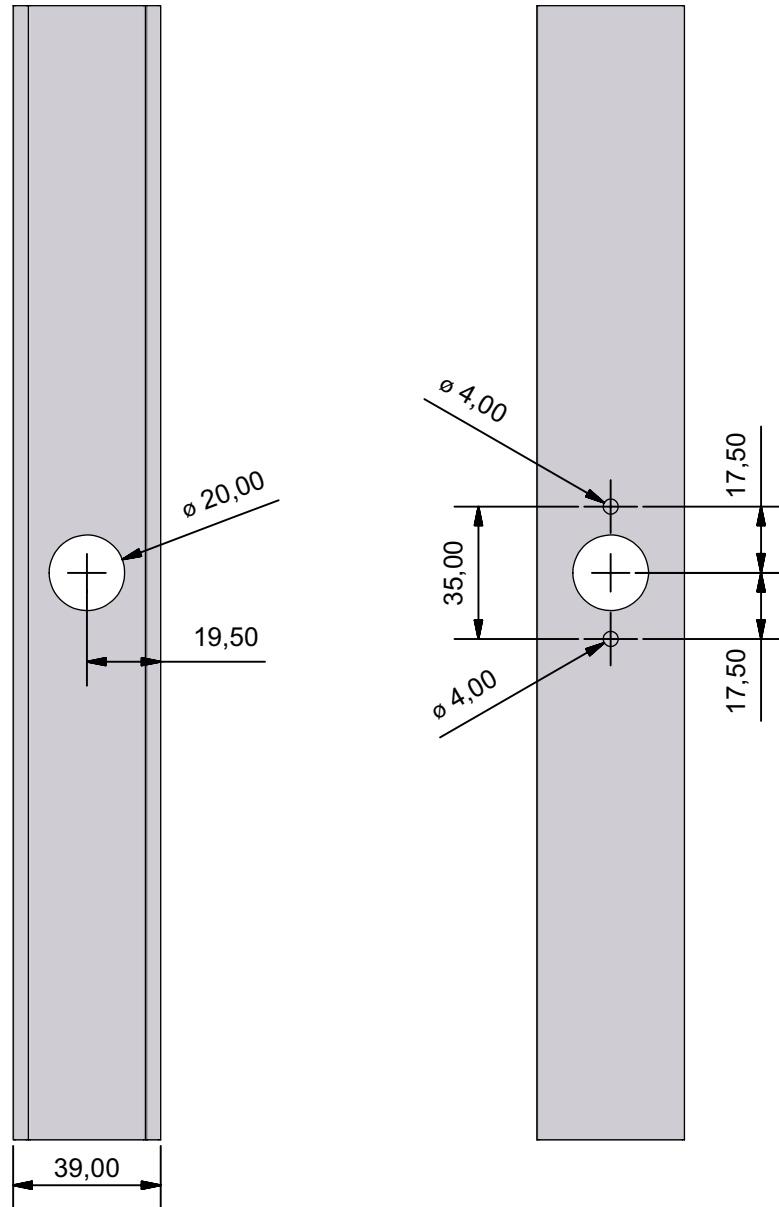
DETAIL DRAWING

LOCK S300 / S3000 TO THE BACK



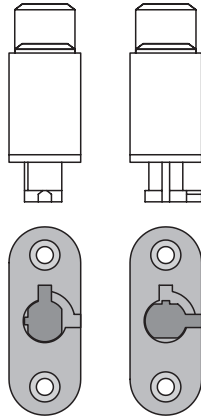
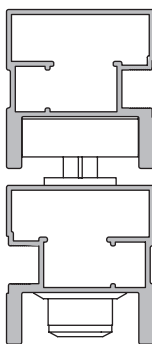
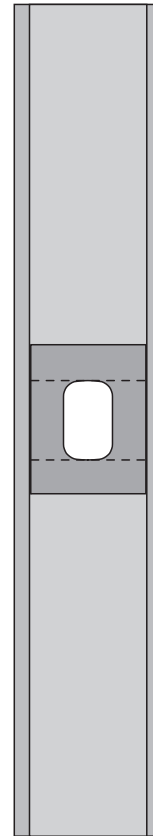
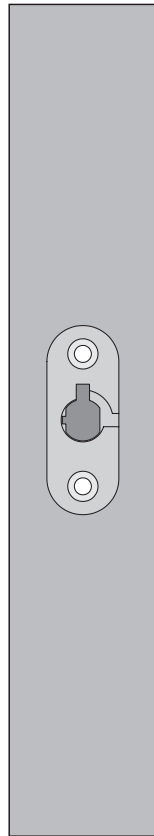
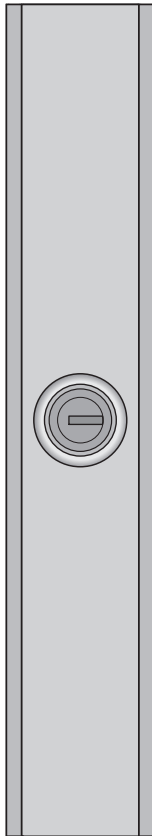
DETAIL DRAWING

LOCK S300 / S3000 TO THE BACK



DETAIL DRAWING

LOCKING PLATE S300 / S3000



opened

closed

