

FOLDING DOOR SYSTEMS: ASSEMBLY AND INSTALLATION/INSTRUCTION FOLDING DOOR SYSTEM S300 BI-FOLD (S34)

V2023.1

GENERAL INFORMATION / TOOLS

General information and tools_ page 03

Contents_ page 04

Detail drawings_ page 05

Assembly instruction_ page 06 - 08

Installation instruction_ page 09 – 11

GENERAL INFORMATION / TOOLS

GENERAL INFORMATION

Preparation:

We recommend reading these instructions before starting.

Carefully unpack and check all items before beginning assembly.

When transporting assembled doors; always lift at corners and lean doors on their side – never stand them upright as this may damage the bottom roller.

The high quality raumplus family of sliding door systems offer a wide range of possibilities. Systems with or without bottom track, ceiling or wall mounted systems, corner solutions, locks, applied and true divided panels.

The "HOW TO ASSEMBLE/INSTALL A FOLDING DOOR (S34)" describes the process of assembling an S34 folding door.

For other instructions, please see:

HOW TO INSTALL A SLIDING DOOR (S34 + S42)

ASSEMBLY INSTRUCTIONS_S34/S42 STOPPER FOR TOP TRACK + END CAP

INSTALLATION INSTRUCTIONS_S34/S42 WALL-MOUNT END CAPS + L-BRACKET

INSTALLATION INSTRUCTIONS_S34/S42 TOP AND BOTTOM TRACK CONNECTORS

INSTALLATION INSTRUCTIONS_TRUE DIVIDING RAIL

HOW TO ASSEMBLE A SLIDING DOOR (AIR)

HOW TO INSTALL A SLIDING DOOR (AIR)

For additional instructions see website www.raumplusna.com

Technical details are subject to change

INFORMATION:

It is assumed that you have exactly identified all cutting dimensions according to the measurement instruction for raumplus-products.

max. door weight: 60kg [130 lbs] per bi-fold (2 panel). Ceiling or header must be able to carry weight of doors.

Door panels ship unattached for ease of installation

TOOLS:

cross tip screwdriver (Phillips)

straightedge (optional)

allen wrench 4mm

allen wrench 5mm

cordless drill and bits; 2.5mm, 6.5mm, 10mm

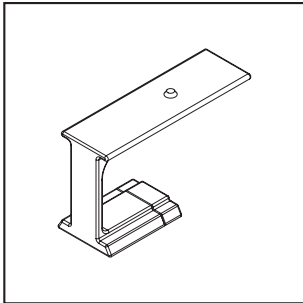
pencil and / or masking tape

white rubber mallet

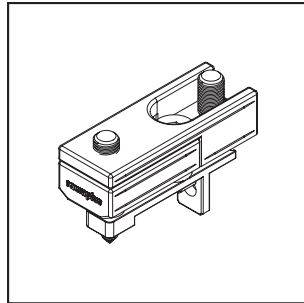
aluminum saw

level

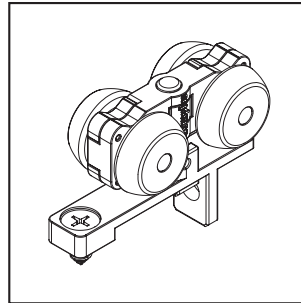
CONTENTS_BI-FOLD



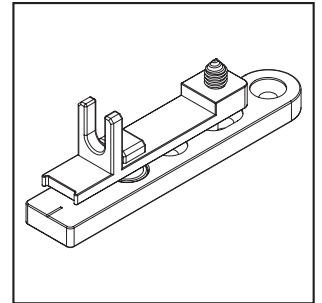
1_10.02.250



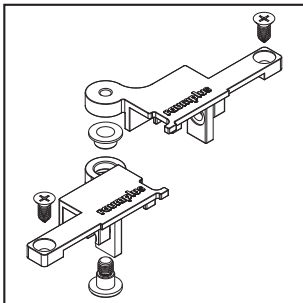
2_10.02.220



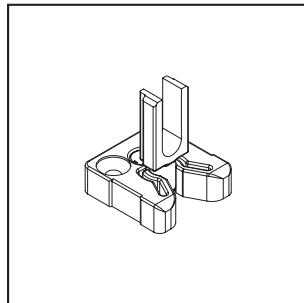
3_10.02.210



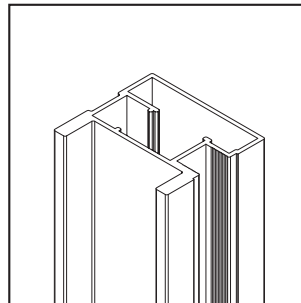
4_10.02.230



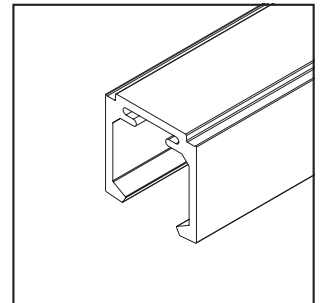
5_10.02.300



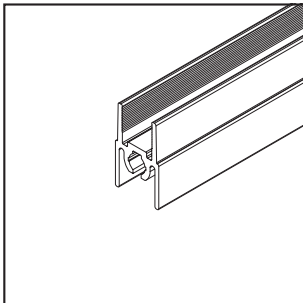
6_10.02.255



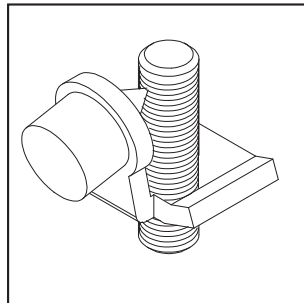
7_15.51.020



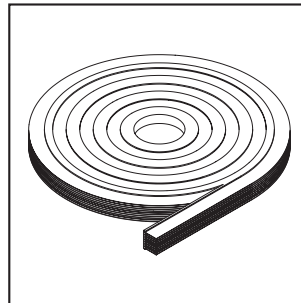
8_15.55.020



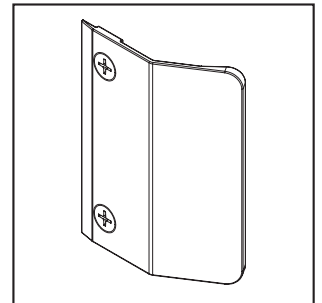
9_15.54.020



10_10.05.060



11_10.07.520



12_10.01.807

1_ Positioning for folding door_ acts as a door stop in the top track to keep door in closed position.

2_ Upper Bi-fold hinge_ sits in top track and allows door to fold.

3_ Top roller (includes pick-up element)_ guides door in top track.

4_ Lower Bi-fold hinge set + mounting plate_ allows door to fold.

5_ Center Bi-fold hinge_ hinge between door elements.

6_ Pin with catch_ bottom door stop.

7_ Stile S300 asymmetrical_ vertical frame of door.

8_ Folding door track for bi-fold_ guides door, ceiling-mounted only.

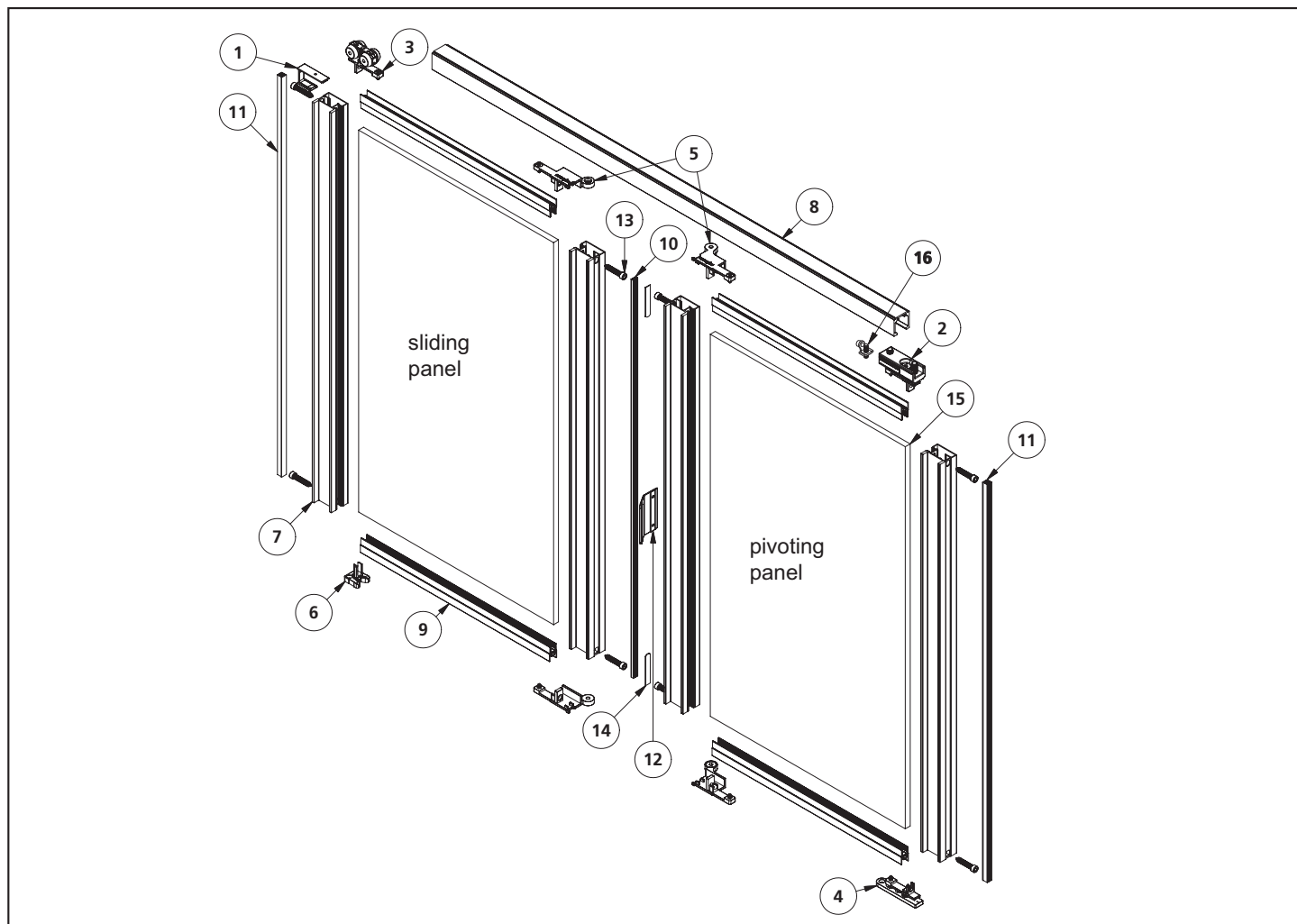
9_ Top + bottom rail_ horizontal top and bottom frame of door.

10_ Stopper for top track_ brake for top track.

11_ Brush gasket for bi-fold_ cushions door against wall and between the sliding and pivot panels.

12_ Handle_ center handle, included with door.

DETAIL DRAWING_BI-FOLD



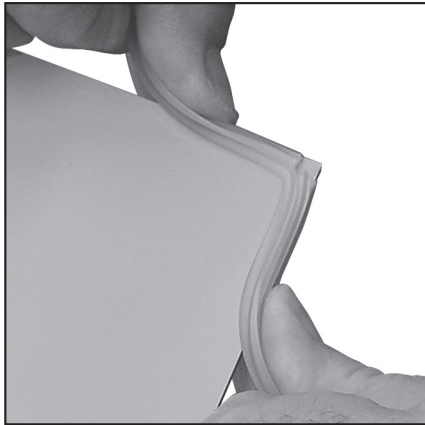
NUMBER	QUANTITY	DESCRIPTION
1	1	Positioning for folding door
2	1	Upper Bi-fold hinge
3	1	Top roller + pick up element
4	1	Lower Bi-fold hinge + mounting plate
5	1	Center hinge (two parts)
6	1	Pin with catch
7	4	S300 Asymmetrical stile
8	1	Folding door track
9	4	Top and bottom rail folding door
10	2	Brush gasket
11	1	Brush gasket (special version)
12	1	Bi-fold handle
13	8	Frame screw, 32mm
14	4	Plug for punched hole
15	2	Panel (panels not included with frame kit)
16	1	Stopper for top track

ASSEMBLY_BI-FOLD

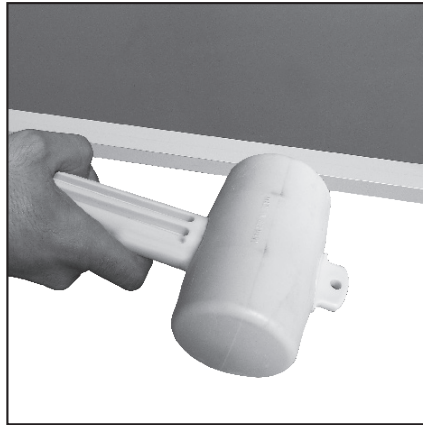
A_ CUT PANEL / MOUNT IT:

Note: If using true dividing rails (which physically divide the panel). Check cut sheets for panel dimensions.

B_ AFFIX FRAME AROUND THE PANEL:



1_ Lay the panel on a table.



2_



3_

2_ Stretch the panel gasket around the glass/mirror. Start in the center of the top edge of the panel. For the corner, cut an approx. 2mm [1/16"] deep notch into the back of the gasket and stretch the gasket over the corner (fig. 1). If using panels 10mm [3/8"] no panel gasket is required.

3_ Put the top rail over the panel and attach it by carefully tapping it with a white rubber mallet. Use a white mallet to prevent marks. (fig. 2).

4_ Use the same process as with the top rail to attach the bottom rail.

5_ Press the stiles (vertical frame profiles) onto the panel, screw them together with top / bottom rails (fig. 4).

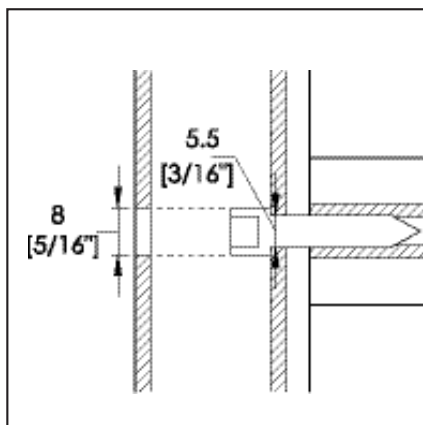
6_ Check the corner for squareness.

C_ IF APPLICABLE - DIVIDING RAILS:

NOTE: Frame kits do not ship pre-drilled for true dividing rails. See True dividing rail instructions for drilling instructions.



1_



2_



3_

1_ As shown in the above example (fig. 1), put profiles, panels and dividing rails together, but do not fasten yet.

2_ Mark the position for the drill holes with a pencil.

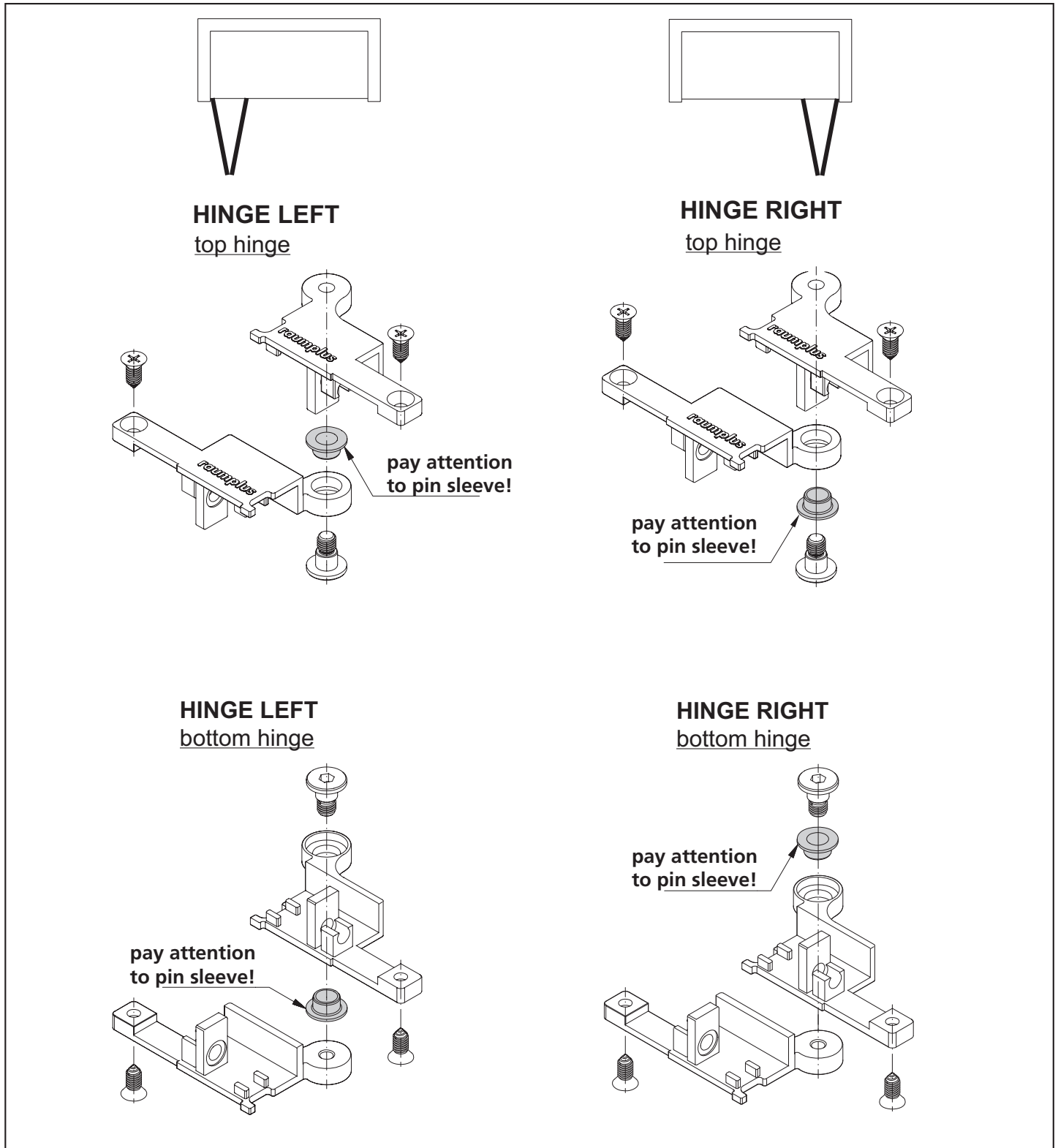
3_ Drill with a 5.5mm drill bit and then with a 8mm drill bit to enlarge the outside hole only (fig. 2).

4_ Now screw together.

5_ Cover drill holes with plugs (fig. 3)

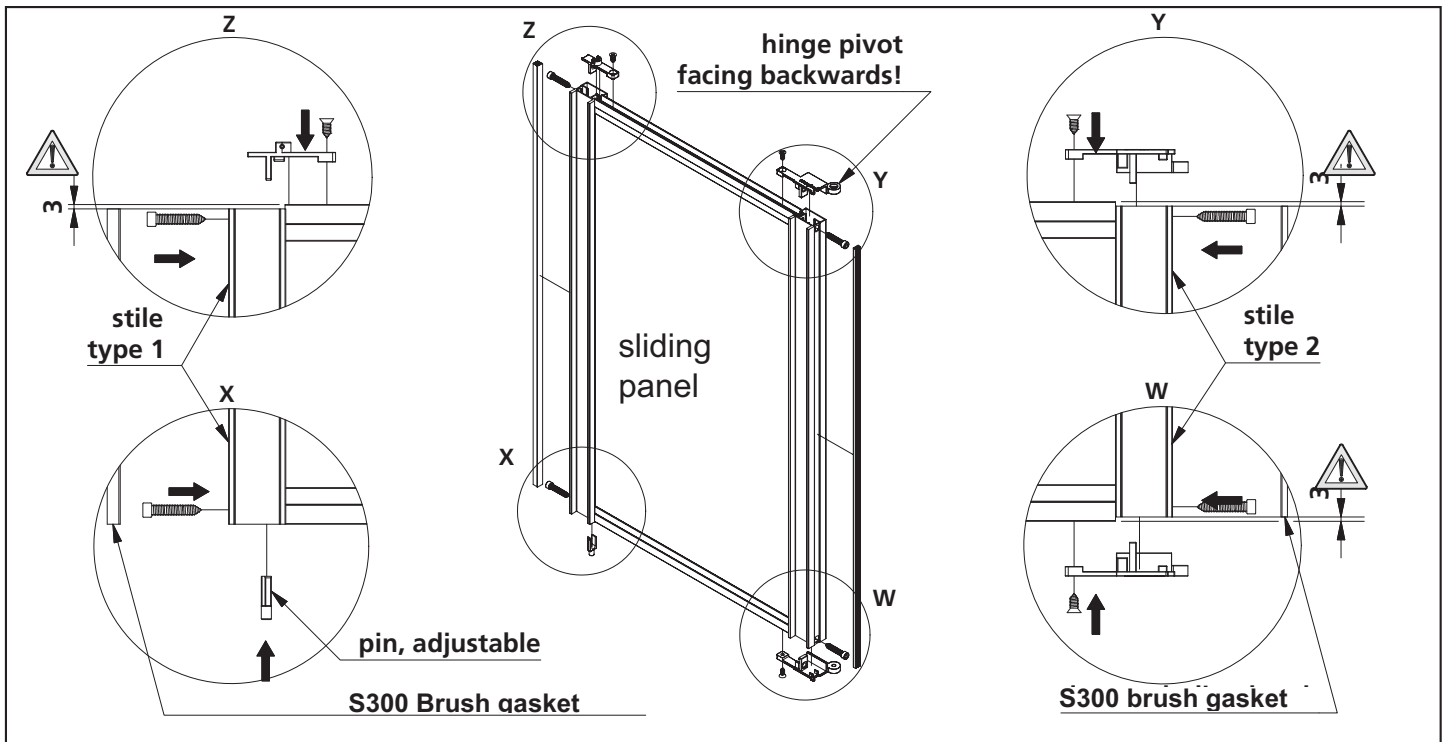
ASSEMBLY_BI-FOLD

EXPLODED DRAWING OF HINGES

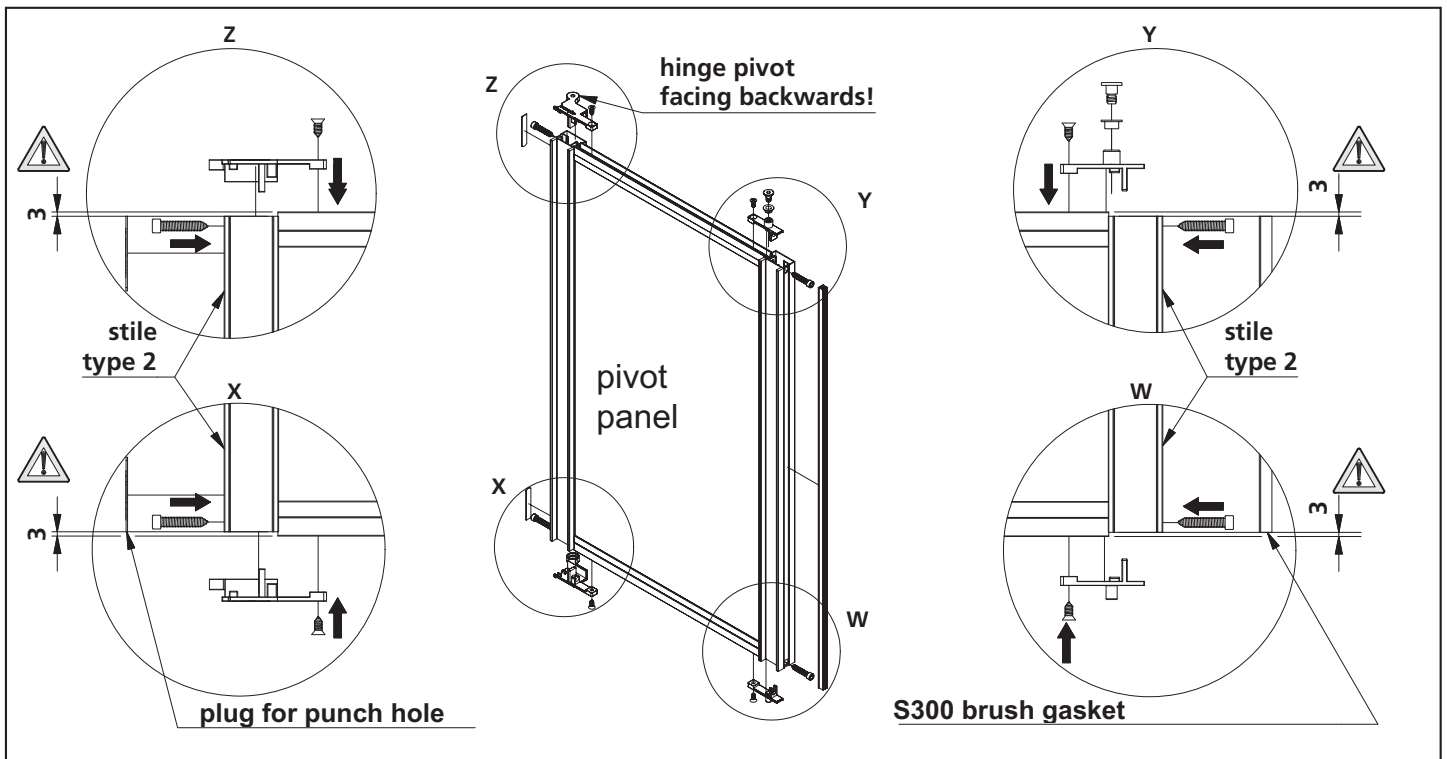


ASSEMBLY_BI-FOLD

HINGE RIGHT - SLIDING PANEL AND PIVOT PANEL



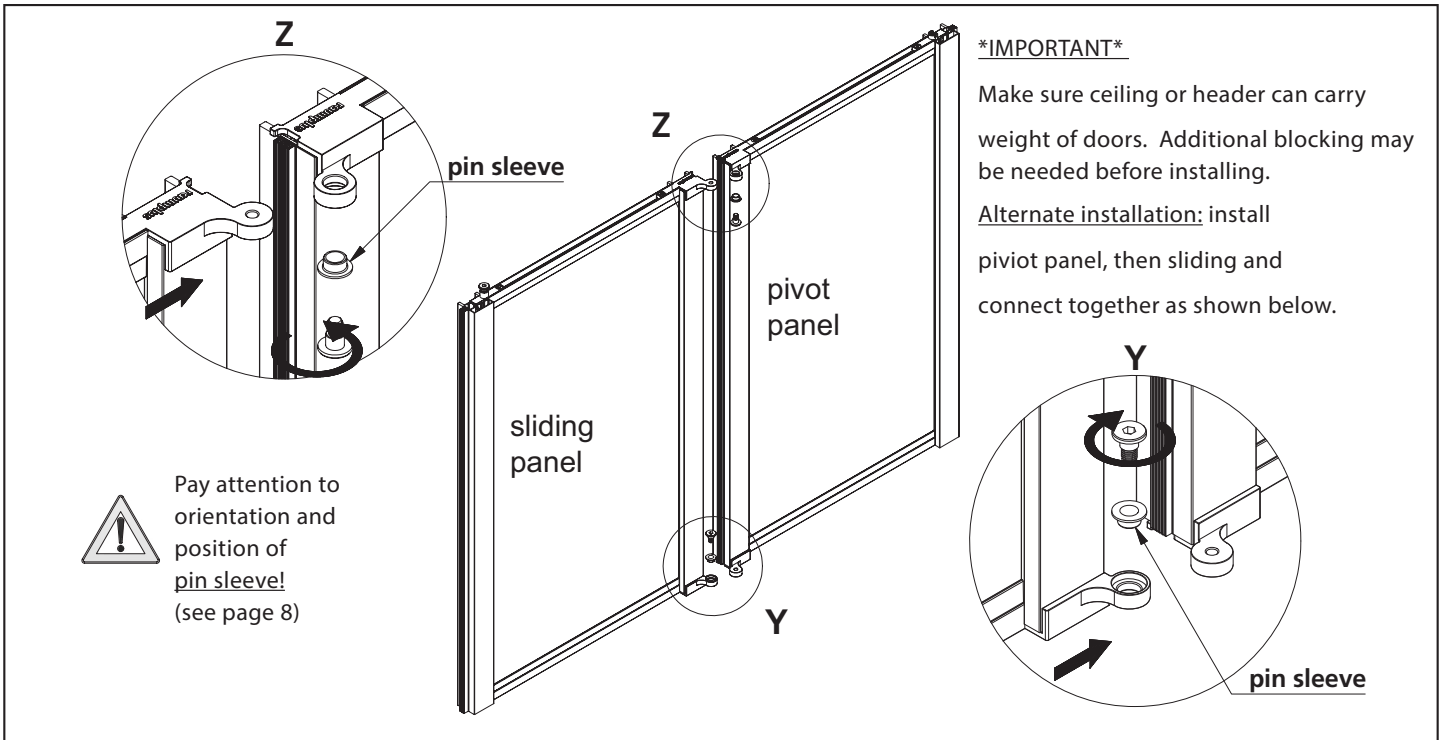
1_ sliding panel HINGE RIGHT



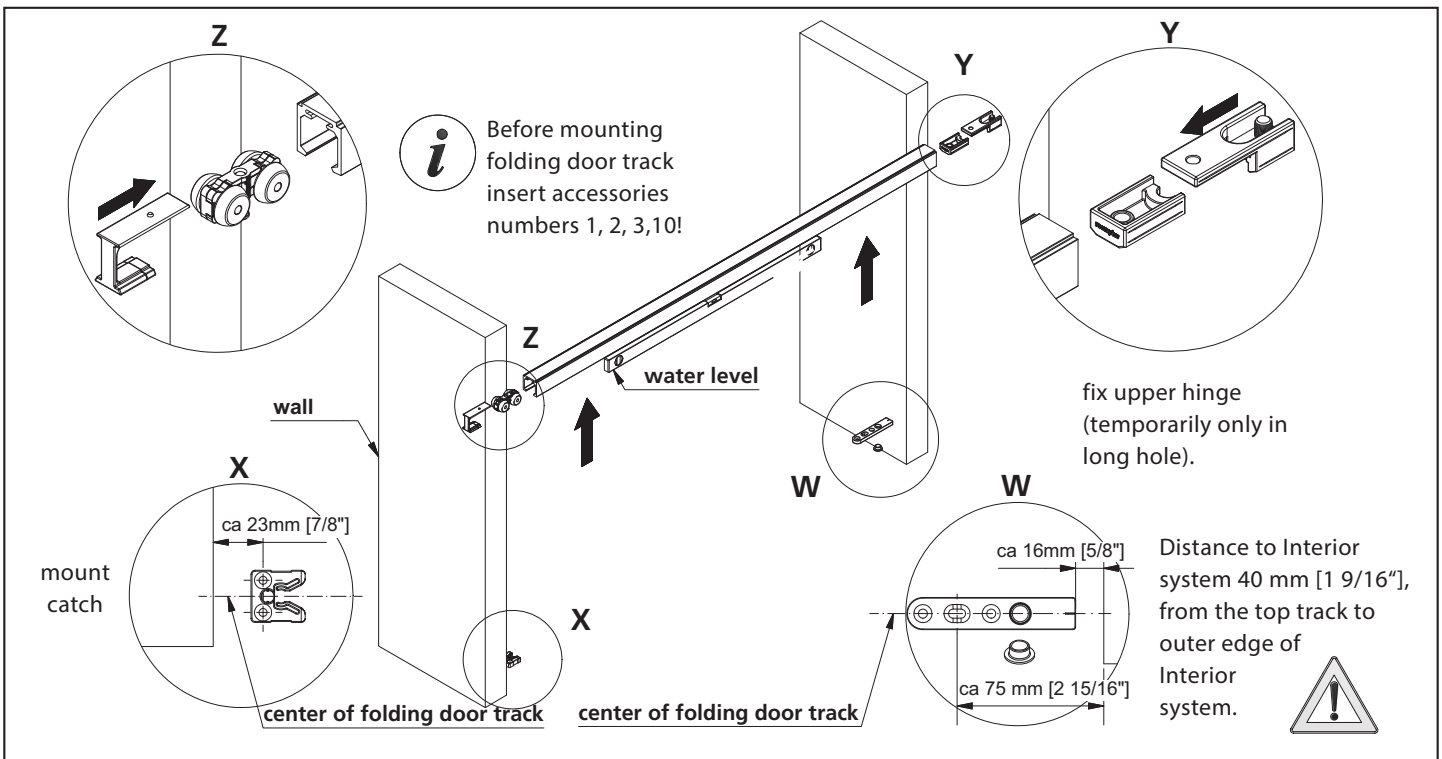
2_ pivot panel HINGE RIGHT

INSTALLATION_BI-FOLD

HINGE RIGHT



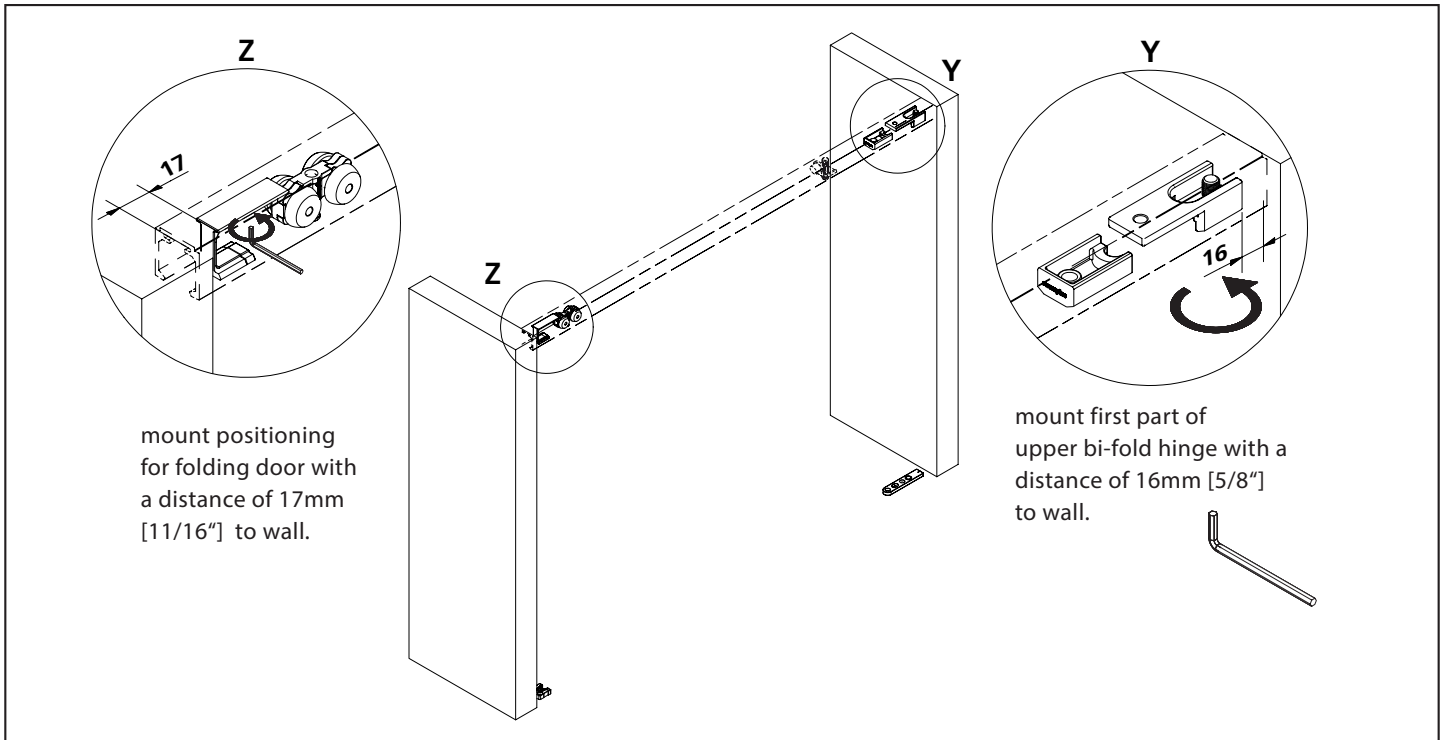
3_ screw together pivot panel with sliding panel (fig. backside HINGE RIGHT)



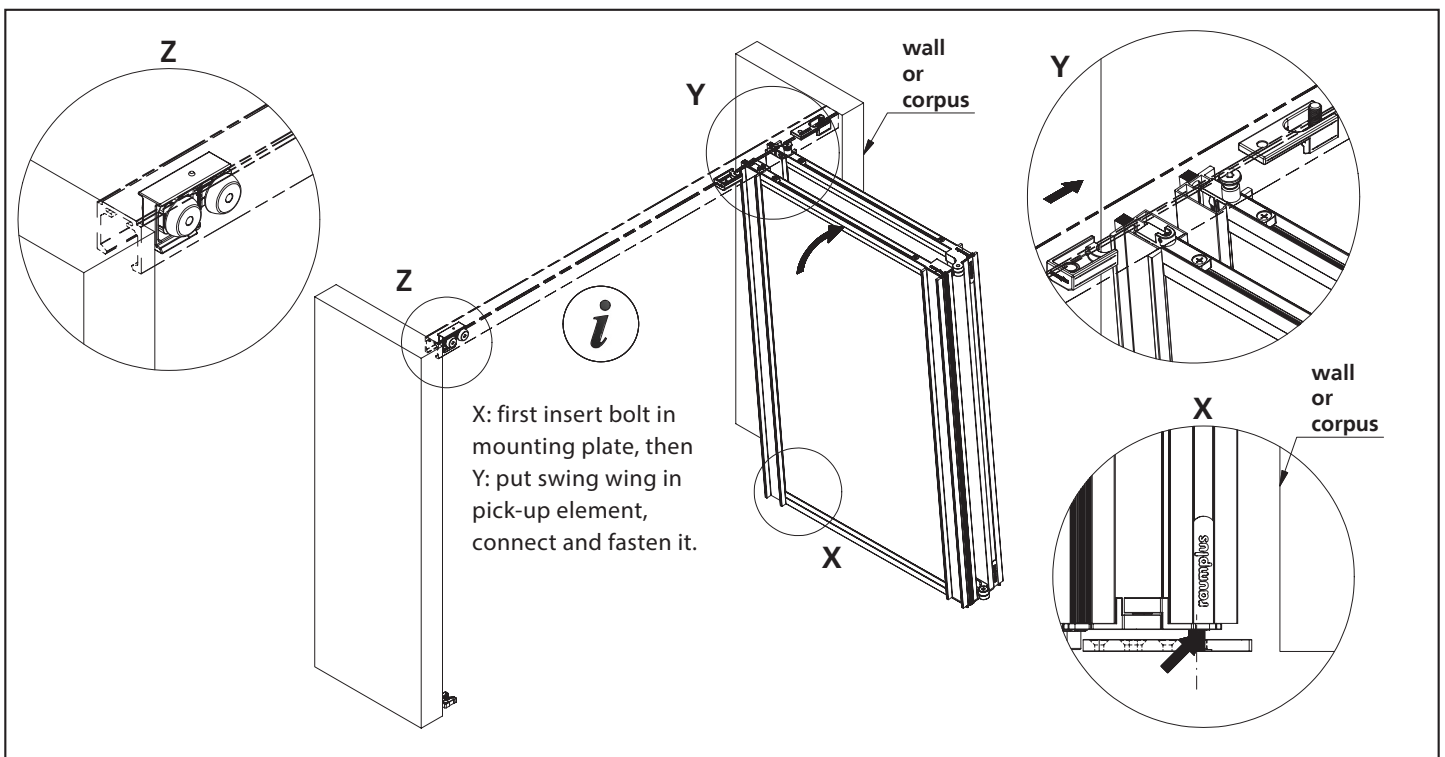
4_ drill holes in ceiling/top of closet and mount folding door track horizontally (fig. w/o ceiling/top of closet)

INSTALLATION_BI-FOLD

HINGE RIGHT



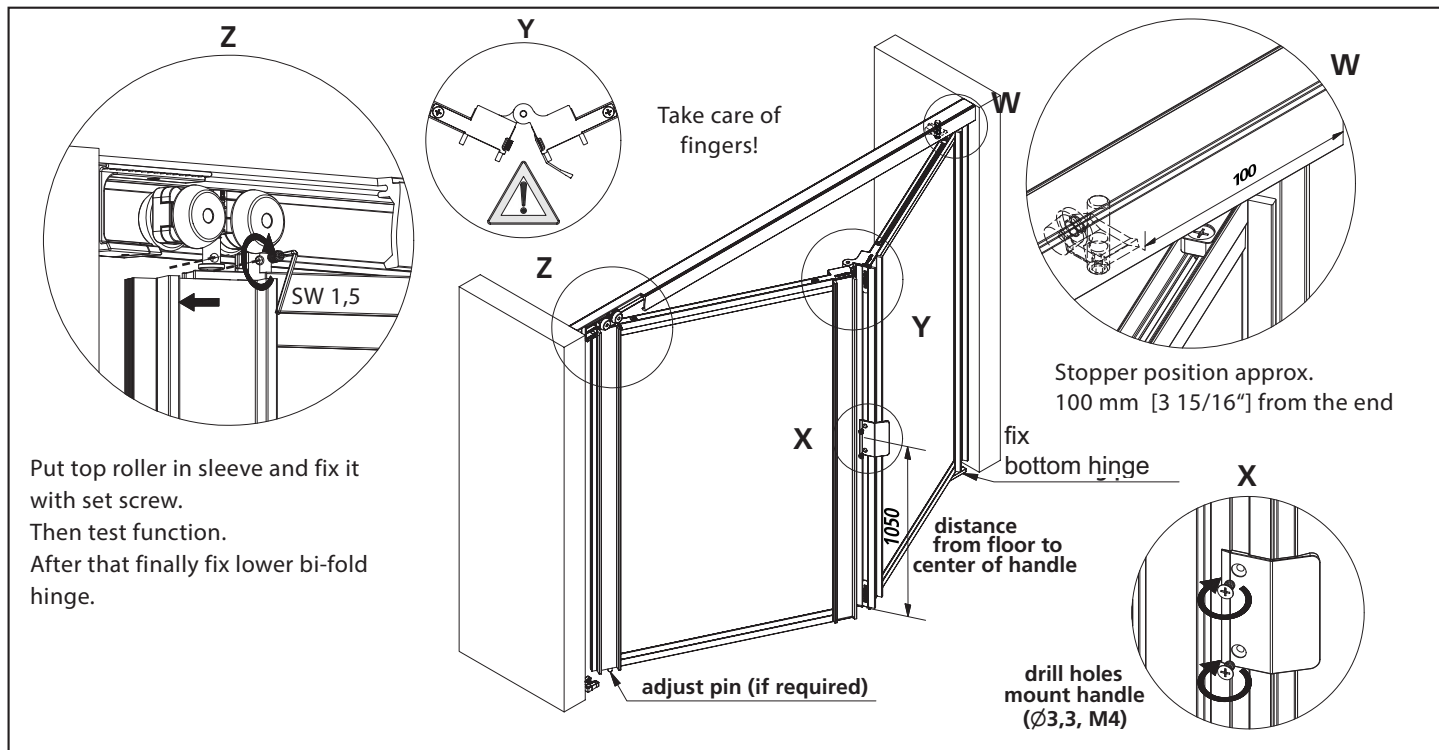
5_ mount positioning for folding door and upper bi-fold hinge



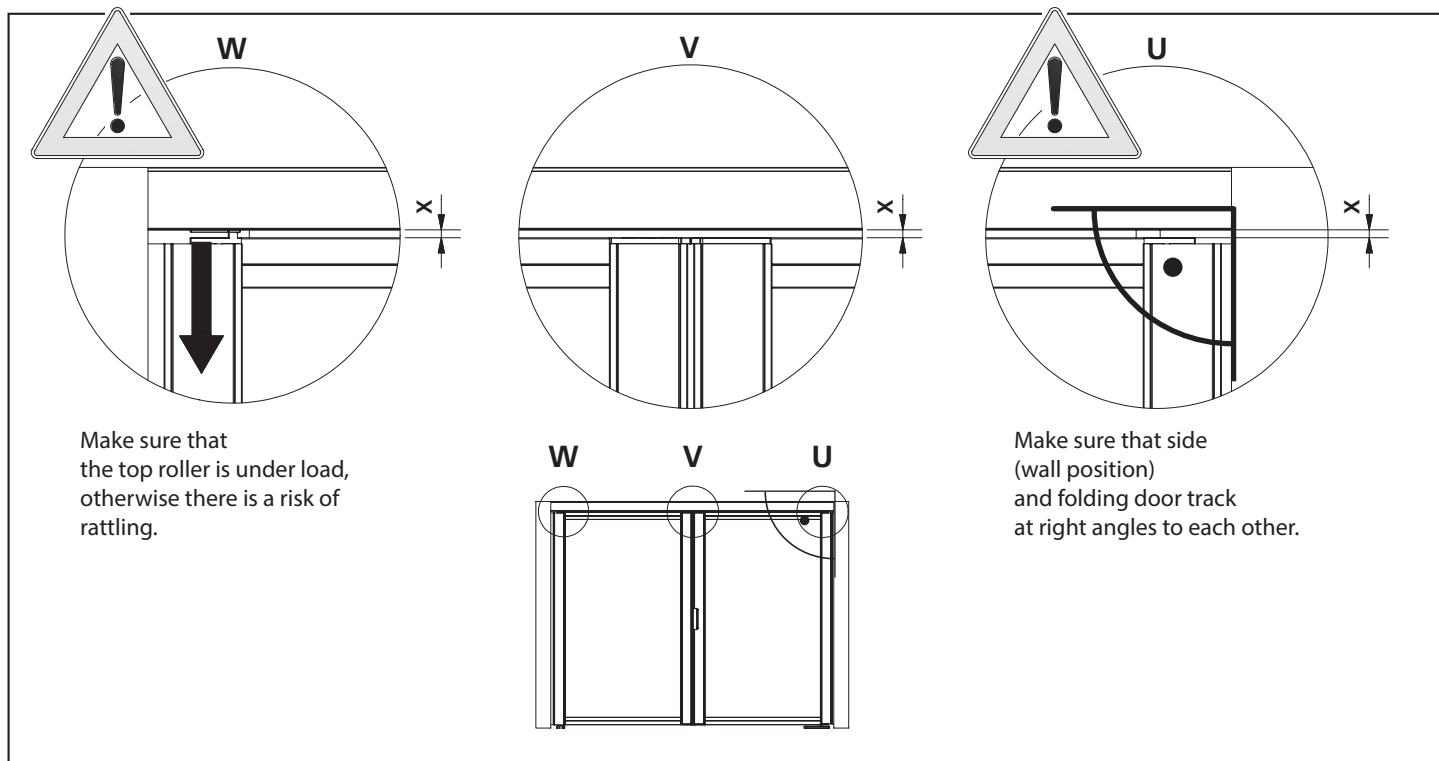
6_ install door panels

INSTALLATION_BI-FOLD

HINGE RIGHT



7_ mount top roller and handle



8_ check level of folding door to folding door track, adjust with top roller screw (if required)