

SLIDING DOOR: ASSEMBLY & INSTALLATION SYSTEM AIR-B

V2020.1

Subject to technical changes.

CONTENT AND TOOLS

CONTENT:	Content and tools	page	02
	Product information	page	03
	Accessories	page	06
	Exploded drawing	page	07
	Cutting measures	page	08
	Assembly instruction	page	10
	Installation instruction	page	13
	Detail drawings	page	20
	Stopper for top track	page	23

TOOLS:

(without claim of completeness)

- Hack saw
- Allen key set
- Cordless drill
- Drilling machine
- Drill set metal / stone
- Screwdriver set
- Rubber mallet
- Pencil
- Water level



Version

- 2.0: Product information
- 2.1: Cutting / measure
- 2.2: Instruction for stoppoint added
- 2.3: Washer for frame screw 0,5 mm added
- 3.0: Cutting / measure








PRODUCT INFORMATION

GENERAL INFORMATION:

Preparation

- This manual is part of the product and describes the safe and proper installation of the system. Please read the instructions carefully before installation
- Please note that the assembly should only be done by qualified and trained staff in
 - strict compliance with all details indicated in this document.
 - Improper installation in variation from manufacturer's specification may cause defects and danger, thus endangering the safe fixing of the product as well as the safety of the prospective user. The liability of the manufacturer shall be excluded in case of defects and consequential damages resulting from incorrect assembly of this product.
- Please check the completeness of the delivered parts and check carefully if any transport damages are visible.
- If any parts are damaged or lost, please immediately contact the responsible supplier.
- It is assumed that you have exactly identified all cutting dimensions according to the measurement instruction for raumplus products.

SYMBOLS:

Symbol	Importance
	Risk or danger
	Advice and information
	Additional information / other documents
	Directional data / direction of movement
	„yes“ and „right“
	„no“ and „wrong“
	Follow the order

SYSTEM:

System Information: S1200 AIR-B S42

- max. weight of element = 132lbs [60 kg]
- min./max. door height = 27 9/16" -108 1/4" [700 mm / 2750 mm]
- min./max. door width = 19 11/16" -55 1/8" [500 mm / 1400 mm]

PRODUCT INFORMATION

GENERAL INFORMATION:

Product safety

- The door system complies with the prior art and the authorized safety rules at the time of delivery.

USE:

Intended use

- The prerequisite for the intended use of our products is the professional installation according to our installation instruction. The fittings must be sufficiently and durable attached to all relevant places.
The function of the fitting must not be hindered or altered during installation.
- Special solutions are only possible in consultation with raumplus.

Use not as intended

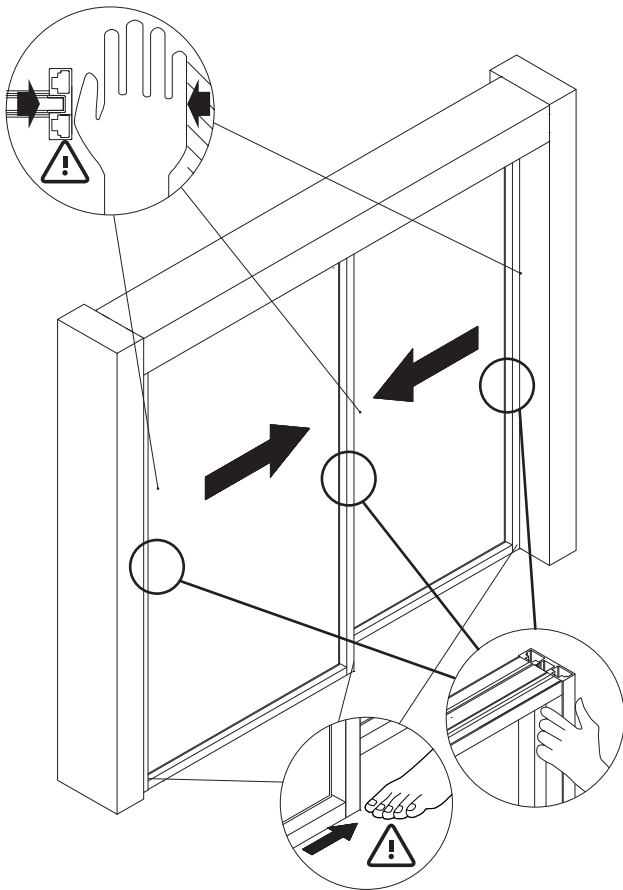
- Risk or danger may occur in the following cases:
 - the door system has improperly been installed or maintained
 - the safety and installation instructions have not been followed.
 - after improper installation or inadequate fixing (e.g. to parts of buildings)
 - the maximum weight of the doors has been exceeded.
 - improper shock and case loads or other additional loads on the fittings have occurred
 - the fittings have been used outside.
 - body parts or objects get in to the clothing edges or door runnings during use of the door wing.
 - the door system is not used as intended.

Structural modifications

- structural modifications that are not offered as an accessory from raumplus may only be attached or installed with permission of raumplus GmbH!

MANUAL

This manual is part of the delivered product and describes the safe and proper use.



Designated use:

The product is designed and manufactured for indoor use.

The product was designed as a hand-held sliding door that is usually not moved faster than at walking pace and that is braked manually when reaching of the end position. The doors are guided at the top and at the bottom.

Any other use or use beyond that is considered to be improper.

Manual:

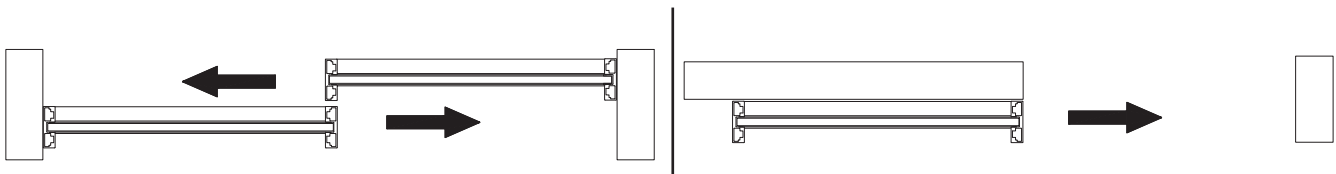
Open the door by the handle profile or the handle (optional).

Run the door slowly to the ...
... opening / closing point, or
... activating point of the sliding door brake (optional).

Note:


Protect your hands from jamming during the movement of the door. When closing or opening the door never grasp the profile, only use the handle profile or the handle.

Use the door as instructed.



Safety Information:

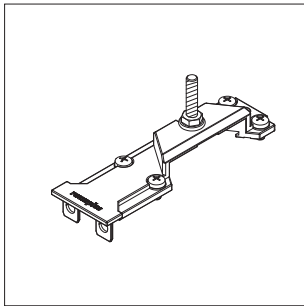
The product complies with the prior art and the recognized safety rules at the time of delivery.

- Pay attention to child safety.
- No additional load to the doors.
- Structural changes, additions or modifications can only be carried out by a dealer.
- In case of malfunctions or irregularities: shut down the system and contact your dealer.
- Installation of the product without wall connection, only in combination with top / bottom stopper 

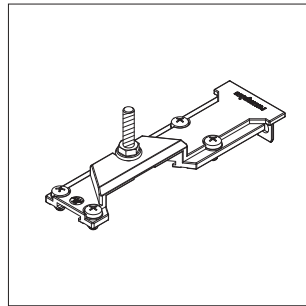


As defined in the „Law of Liability for Products“ (§4 Prod-HaftG), for the liability of the manufacturer, for his products, the above information has to be regarded. The disregard of this manual, releases the manufacturer from his liability.

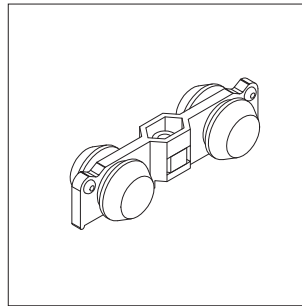
ACCESSORIES



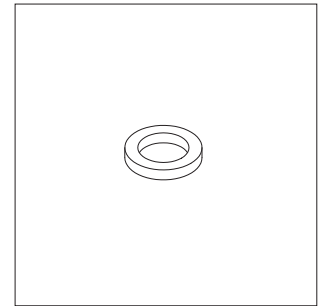
1_ 10.06.023



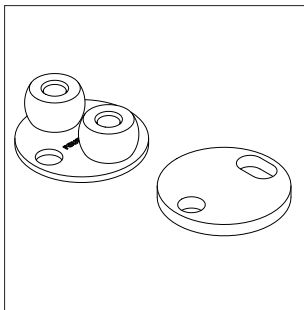
2_ 10.06.024



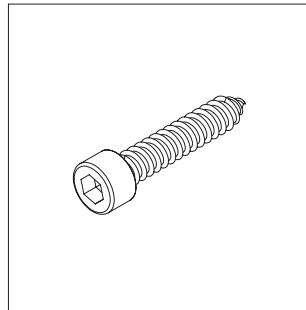
3_ 10.06.200



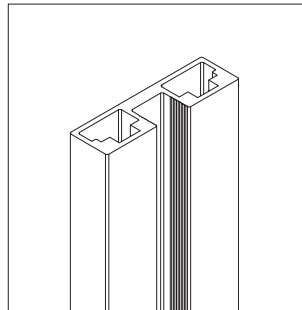
4_ 10.07.215



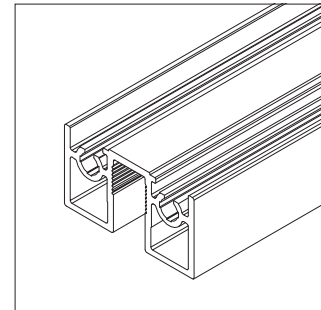
5_ 10.06.033 / 10.06.035



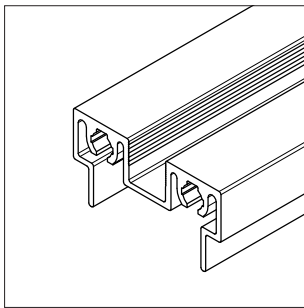
6_ 10.07.214 / 10.07.213 / 10.07.212



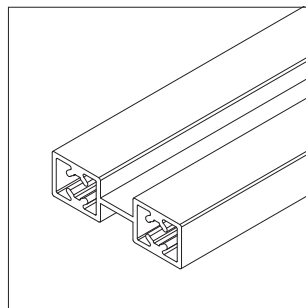
7_ 12.01.0xx



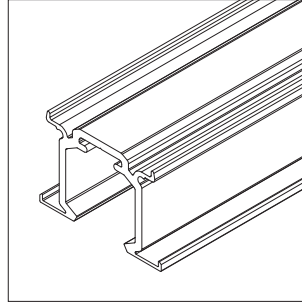
8_ 12.42.0xx



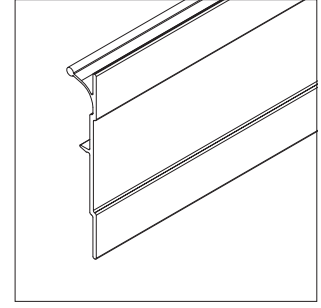
9_ 12.26.0xx



10_ 12.20.0xx



11_ 14.55.0xx



12_ 14.50.0xx

1_ Pick up element S1200, left AIR

2_ Pick up element S1200, right AIR

3_ Top roller AIR

4_ Washer f. div. rail connection 1,5 mm

5_ Ground plate with bearing air S34 / air S1200 /
Distance plate air S34 / S1200

6_ Frame screws 6,3 x 32 mm silver / black / white

7_ Stile S1200

8_ Top rail S1200 AIR

9_ Bottom rail S1200 AIR

10_ Dividing rail insert S1200

11_ Top track insert for AIR

12_ Cover f.ins. profile f.AIR adj.

Without fig.:

13_ Drilling template for S1200

30.14.018

14_ Countersink set drilling template

30.14.020

15_ Brake for top roller AIR

10.05.030

16_ Stopper for top roller AIR

10.05.017

17_ Stopper for top track w/o brake

10.05.060

18_ Crossbar AIR System

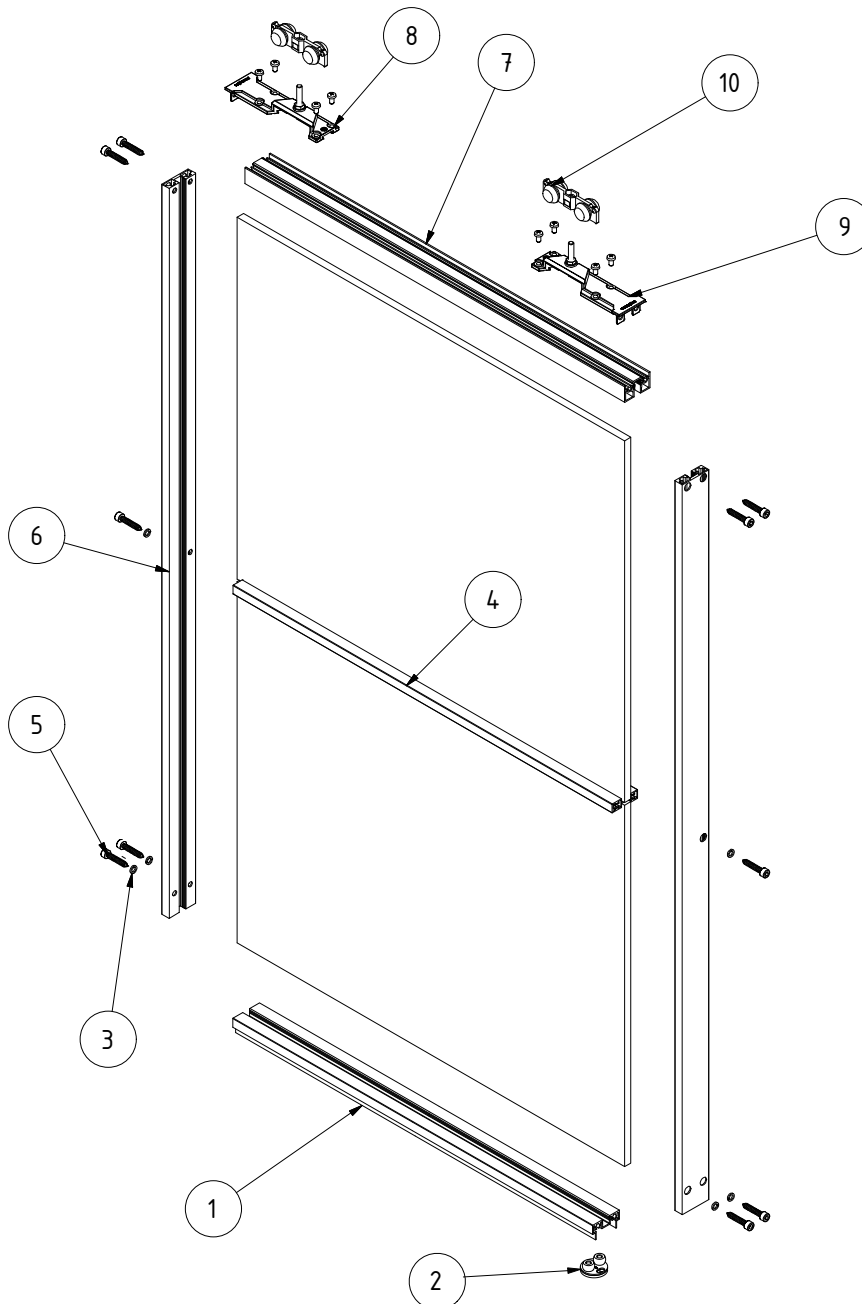
14.53.0xx

19_ Washer for frame screw 0,5 mm

10.07.218

EXPLODED DRAWING

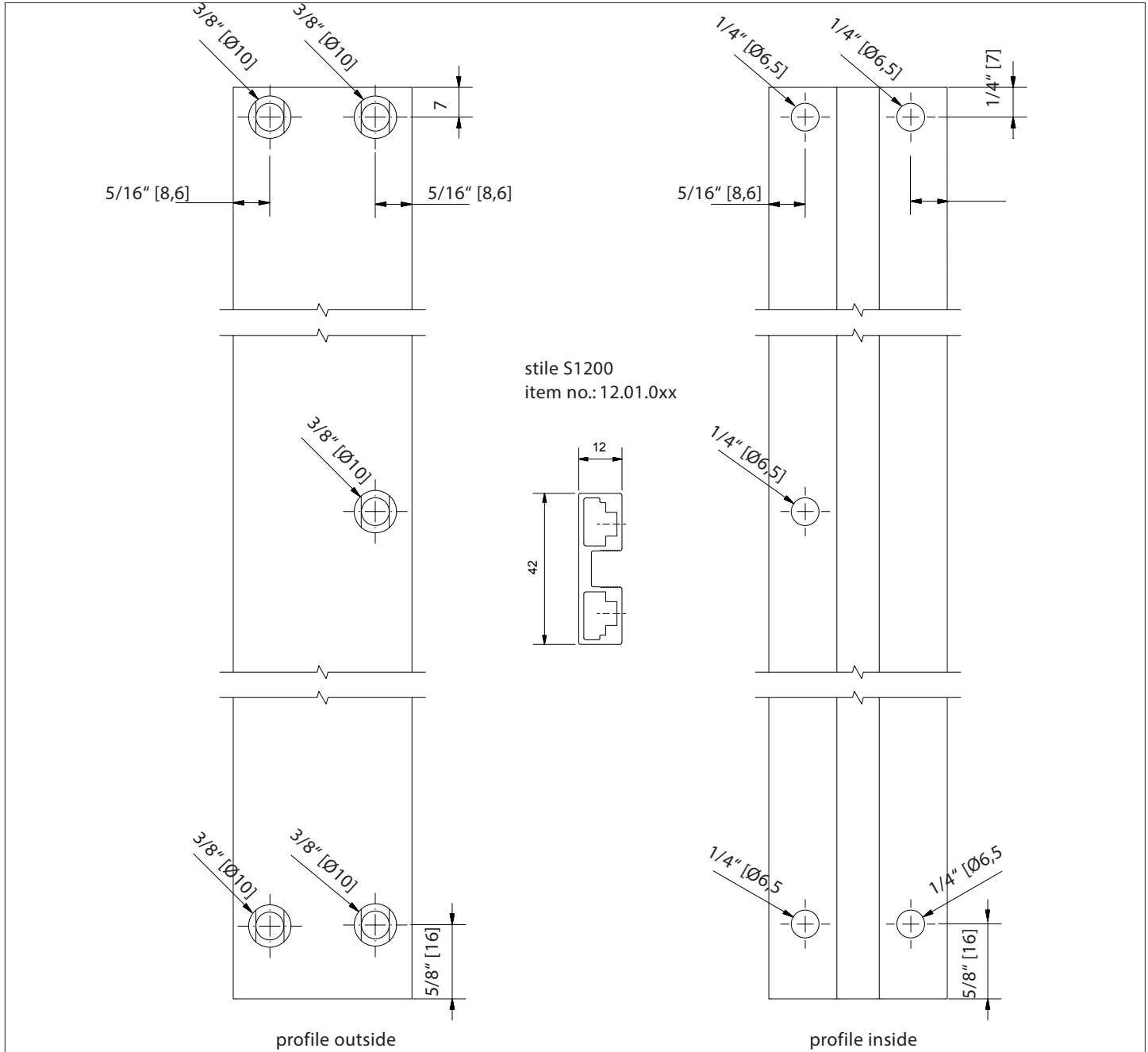
SYSTEM AIR-B / S1200



Item list			
object	quantity	item	item no.
1	1	bottom rail S1200 AIR	12.26.0xx
2	1	ground plate with bearing air S34 / air S1200	10.06.033
3	6	washer for frame screw	10.07.215
4	1	dividing rail insert S1200	12.20.0xx
5	10	frame screw 6.3 x 32 mm	10.07.21x
6	2	stile S1200	12.01.0xx
7	1	top rail S1200 AIR	12.42.0xx
8	1	pick up element S1200, left	10.06.023
9	1	pick up element S1200, right	10.06.024
10	2	top roller air	10.06.200

DETAIL DRAWING

HOLE PATTERN VERTICAL PROFILES / CUTTING MEASURES W/O SDB



CUTTING MEASURES PROFILES S1200 AIR:

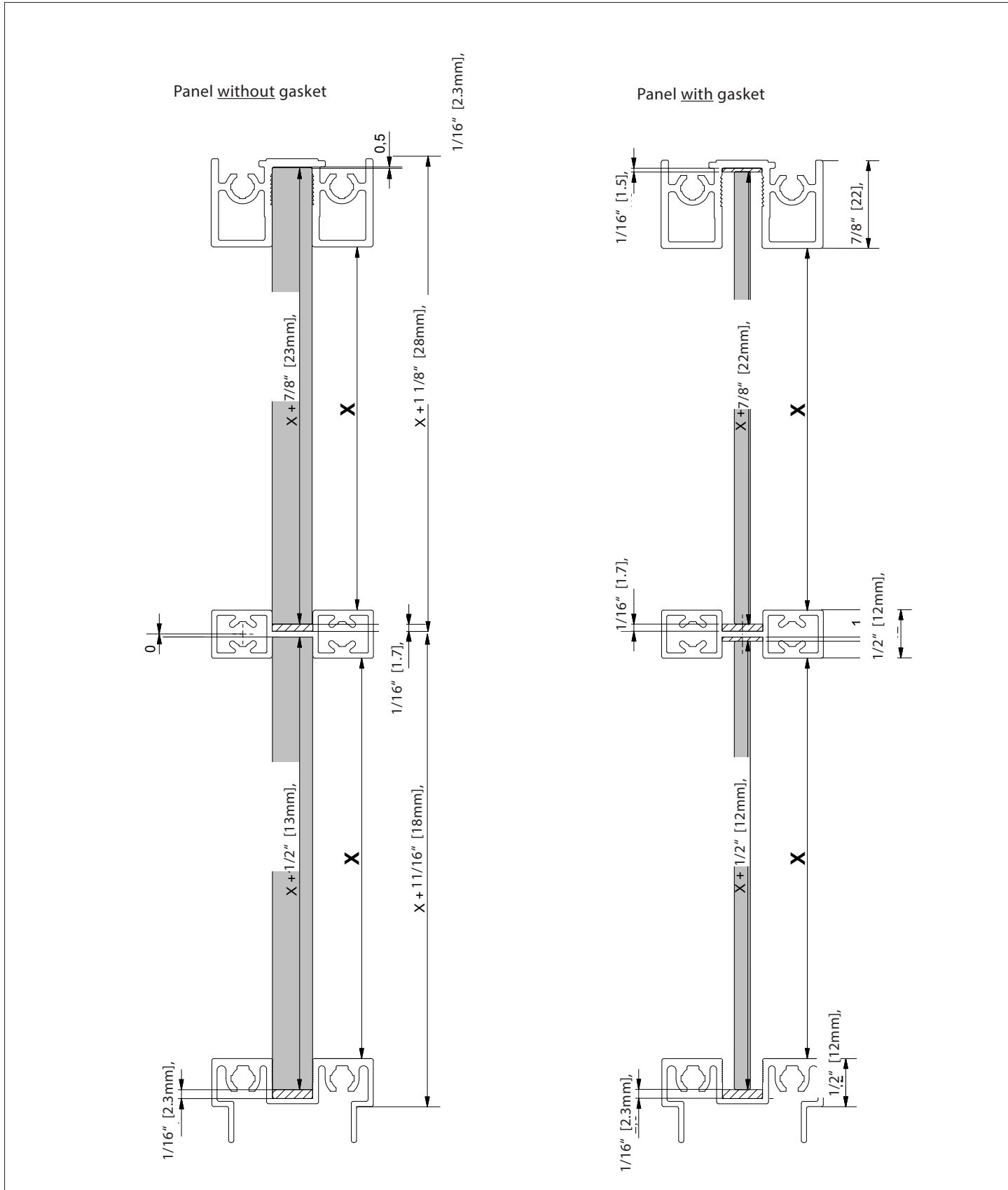
Door height = clear height - 2 3/8" [60 mm]
 Cross rail length = door width - 15/16" [24 mm]
 min. / max. door width = 19 11/16" - 55 1/8" [500 mm / 1400 mm]
 min. / max. door height = 27 9/16" - 108 1/4" [700 mm / 2750 mm]
 max. door weight = 132 lbs [60 kg]
 Overlap = 1/2" [12 mm]

CUTTING MEASURES PANEL S1200 AIR (w/o dividing rail):

height = door height - 5/8" [16 mm] (w/o gasket)
 = door height - 11/16" [17 mm] (with gasket)
 width = door width - 7/16" [11 mm]

DETAIL DRAWING

CUTTING MEASURES HEIGHT S1200 AIR

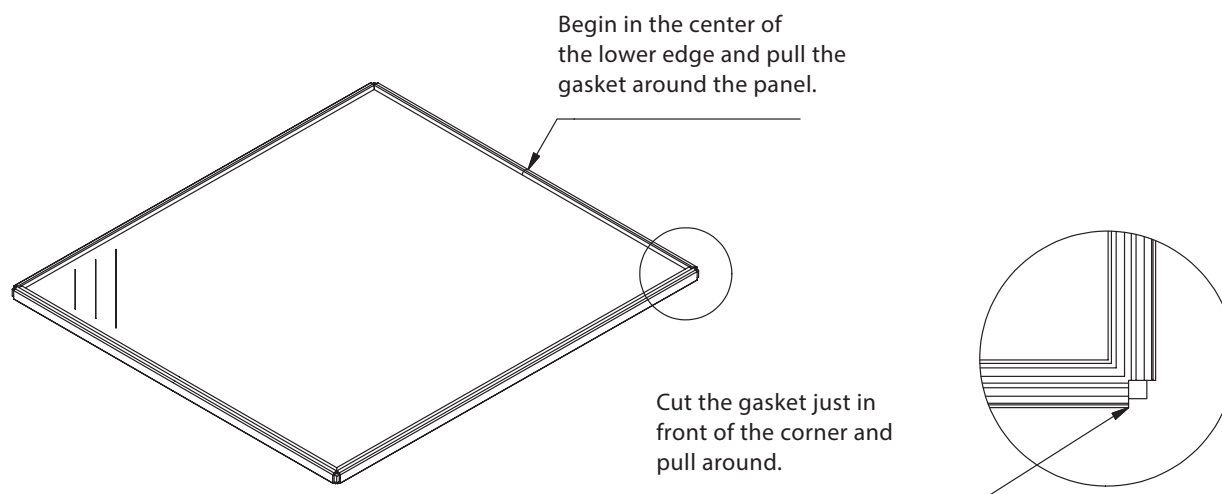


ASSEMBLY INSTRUCTIONS

DOOR PANEL / GASKET



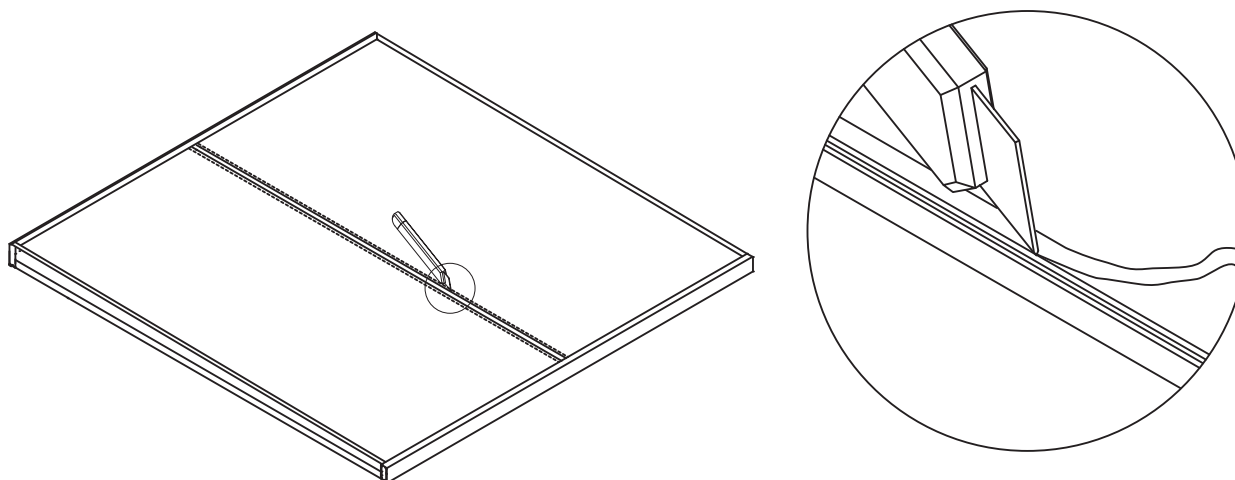
The gasket is only necessary for glass panels under 10 mm.



1_ Panel



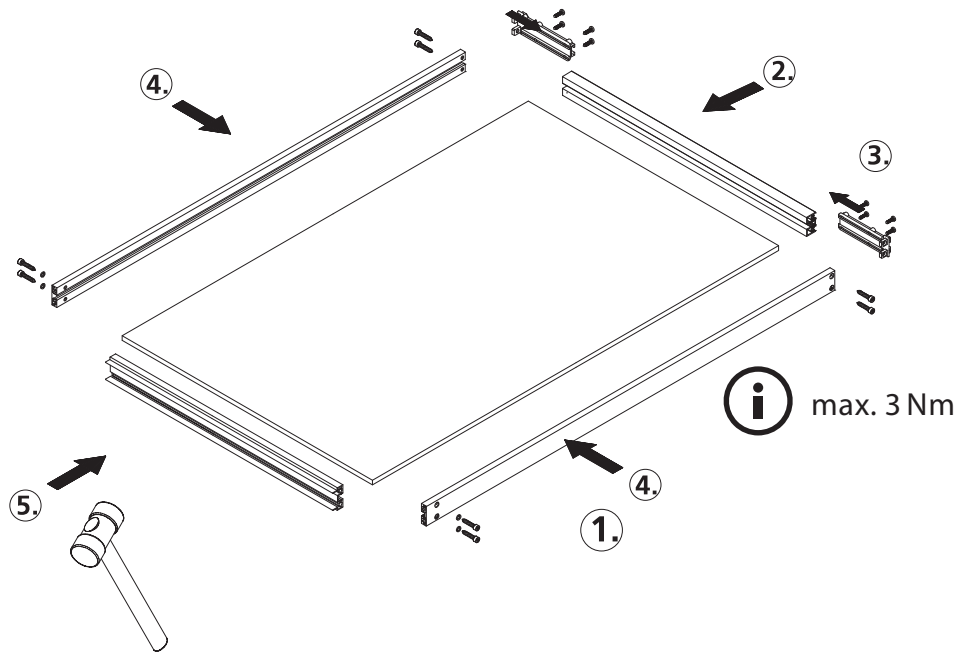
After the profiles mounted on the glass filling, cut the stick out from the gasket at the rail.



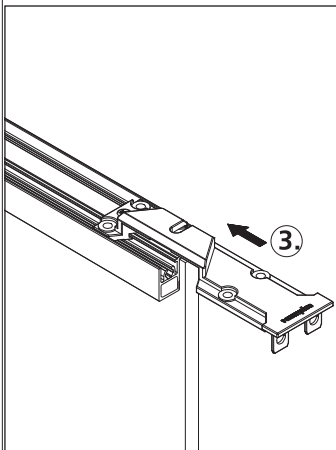
2_ Panel with gasket

ASSEMBLY INSTRUCTIONS

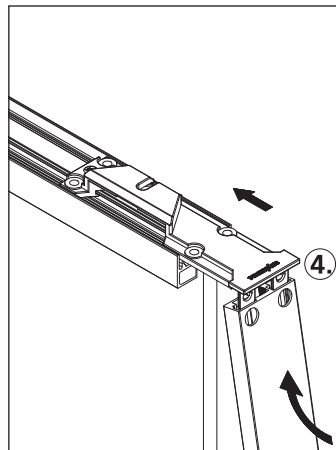
DOOR ASSEMBLY



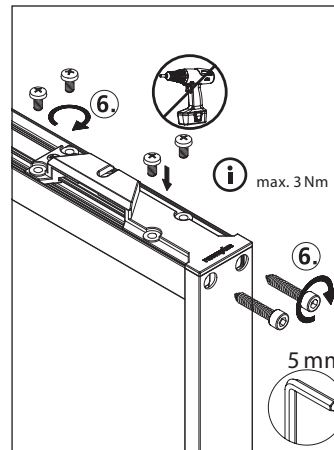
- ① Put the panel on a flat work surface, optionally provided with a suitable gasket.
- ② Hit the top rail with a rubber hammer.
- ③ Insert the pick-up-element laterally into the top rail.
- ④ Put the vertical profile in the pick-up-element and hit the vertical profiles with a rubber hammer.
- ⑤ Hit the bottom rail with a rubber hammer.
- ⑥ Align profiles flush and screw the profiles with the frame screws, use the washers only at the bottom screws.



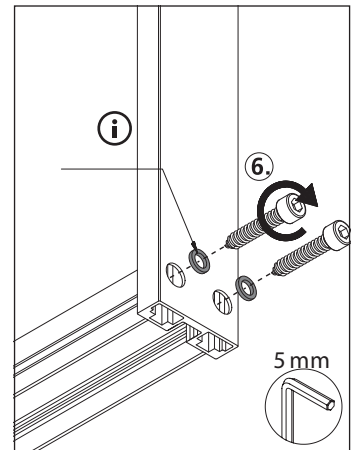
1_fit in Pick up element
S 1200 Air sideways.



2_Mount the stile vertically on
the fitting and pitch it.



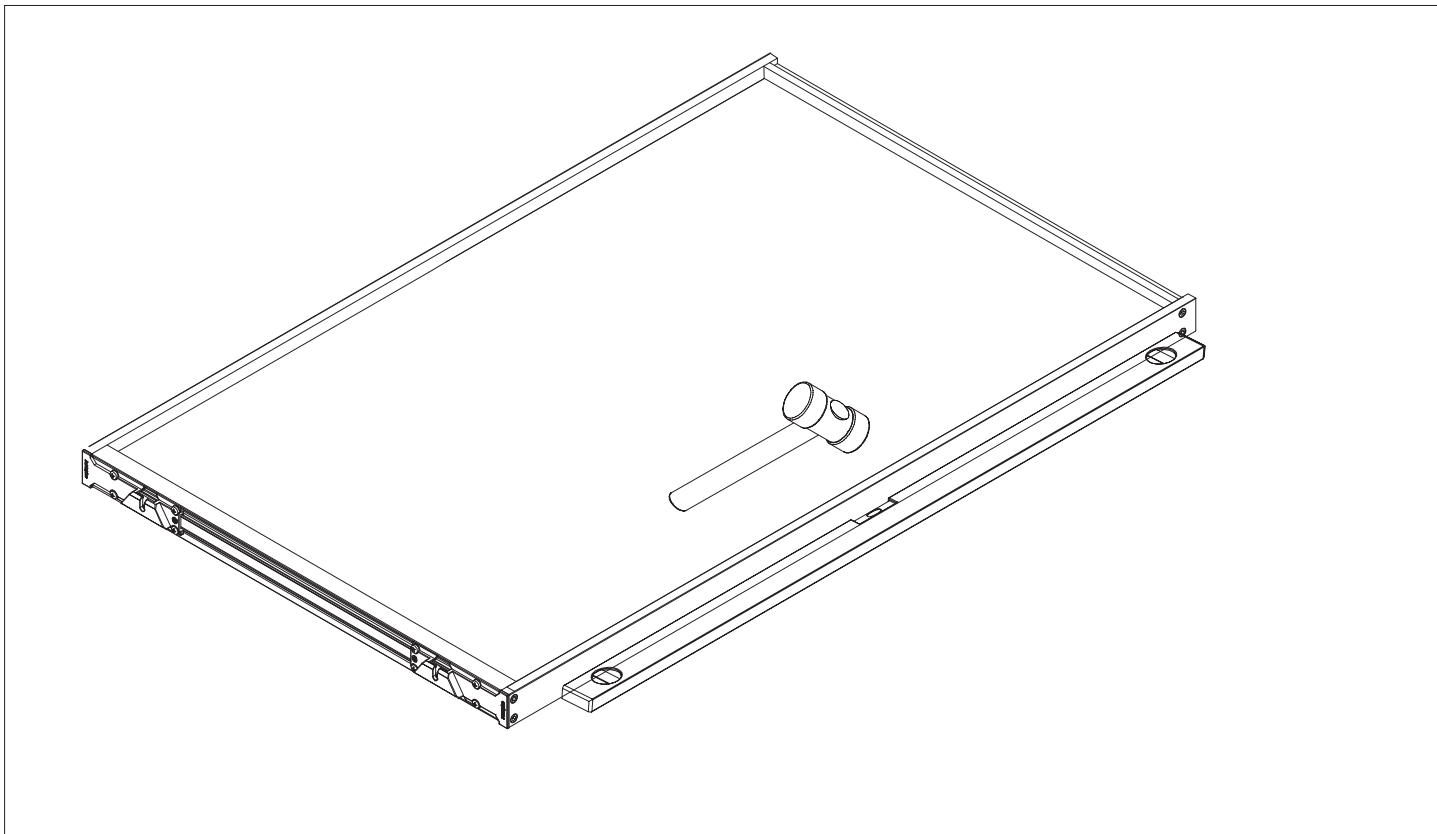
3_Pay attention to sequence.



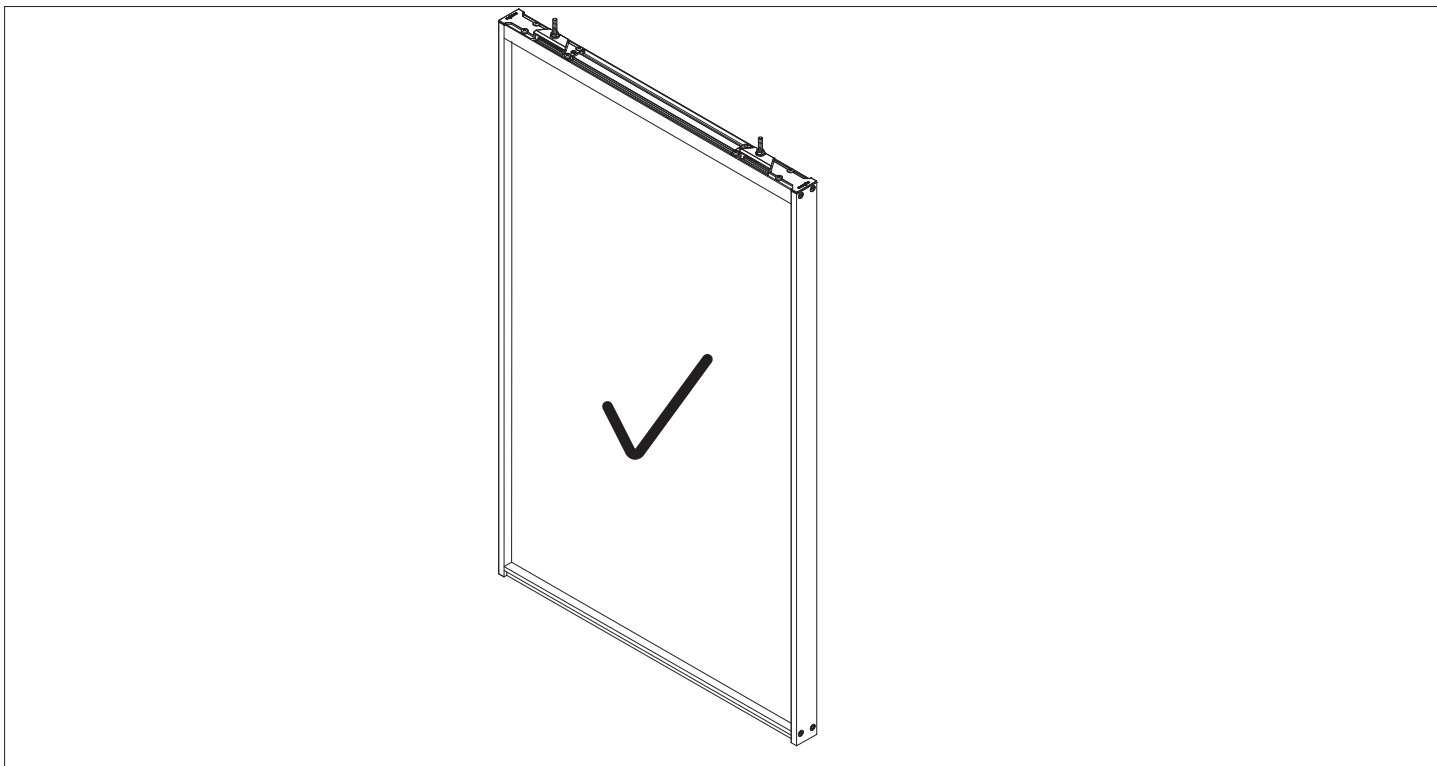
4_Frame screws
below with washer.

ASSEMBLY INSTRUCTION

ALIGN SLIDING DOOR



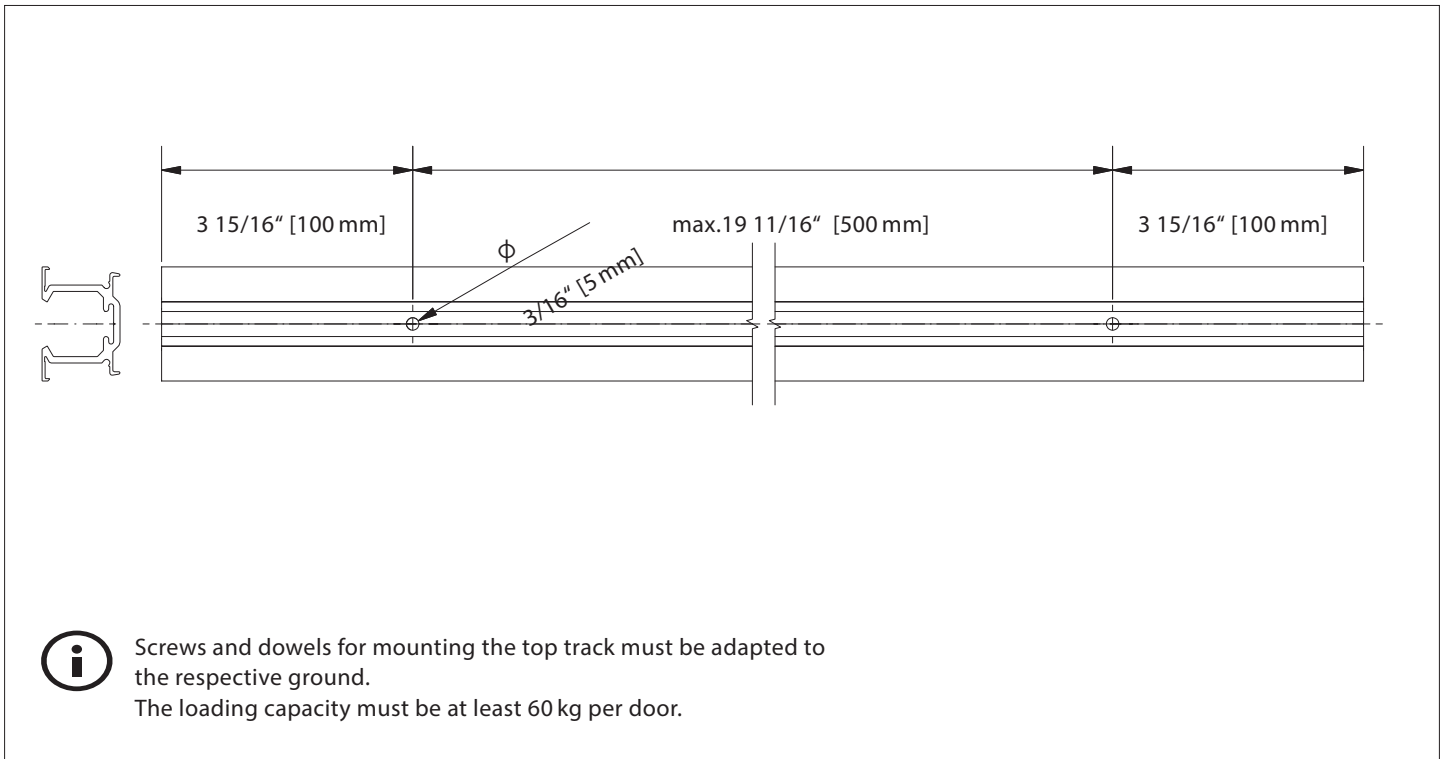
1_ Align the profiles with a rubber hammer and straight-edge.



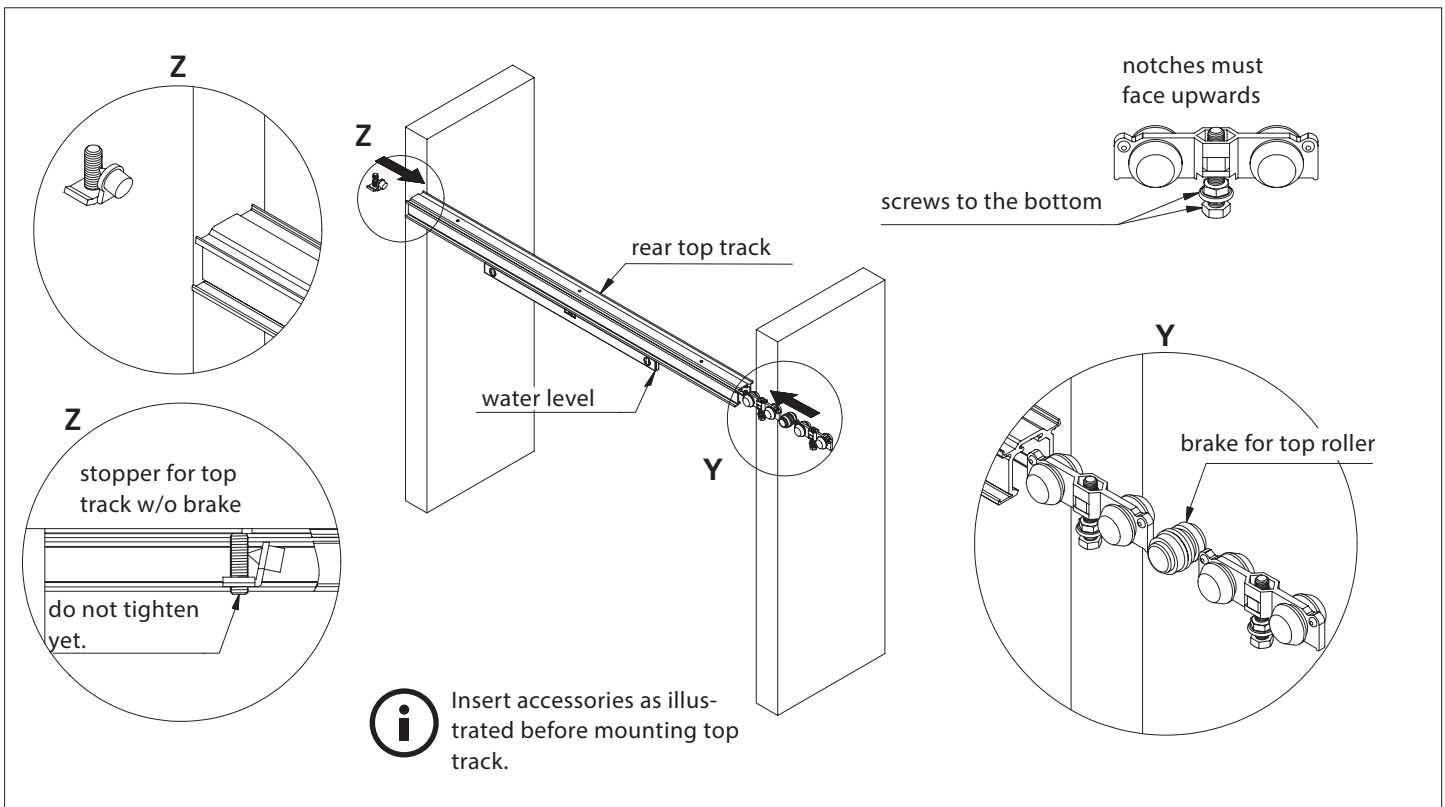
2_ Sliding door S1200 AIR is completed.

INSTALLATION INSTRUCTION

TOP TRACK



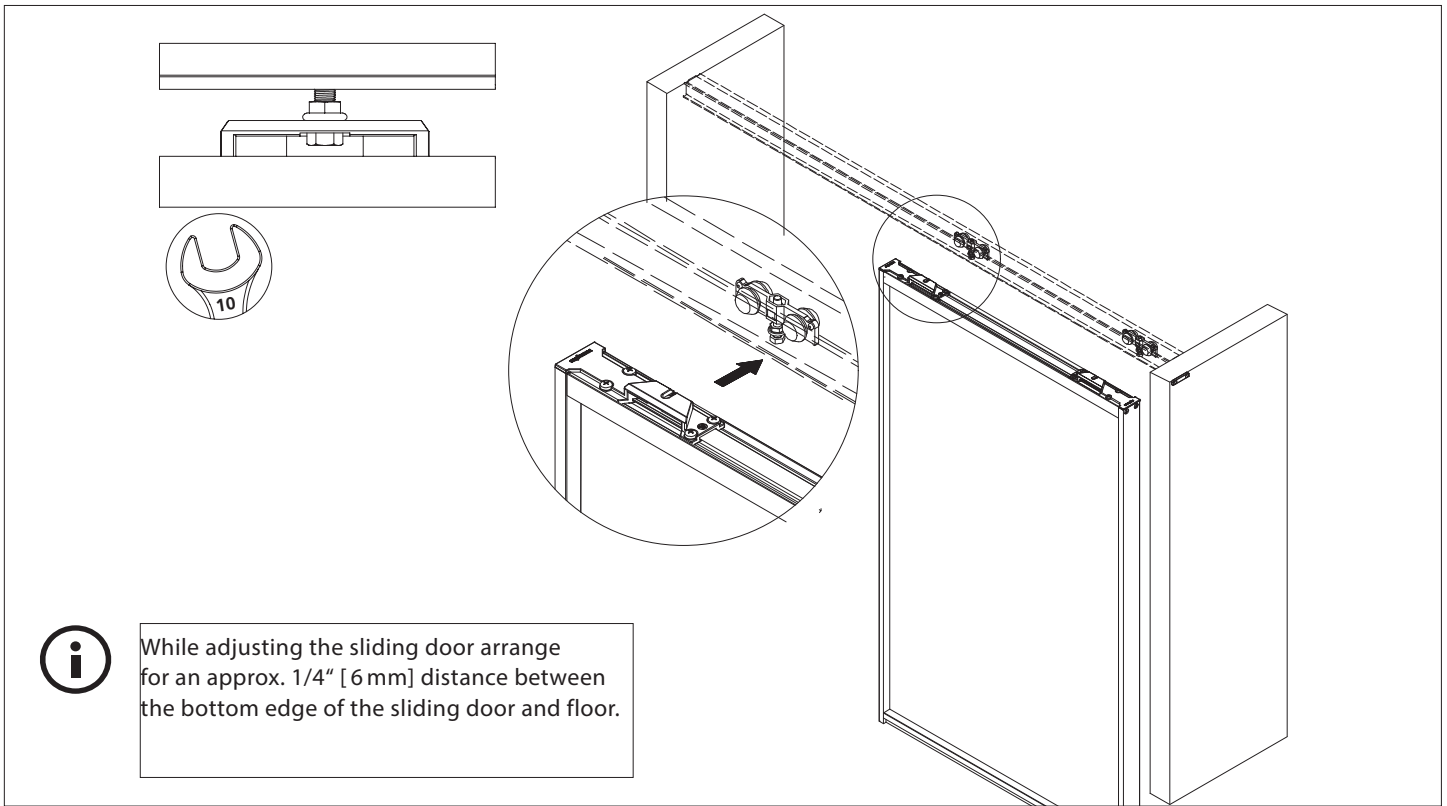
1_ Cut cover for top track, middle insert profile and top track to size and drill holes in top track.



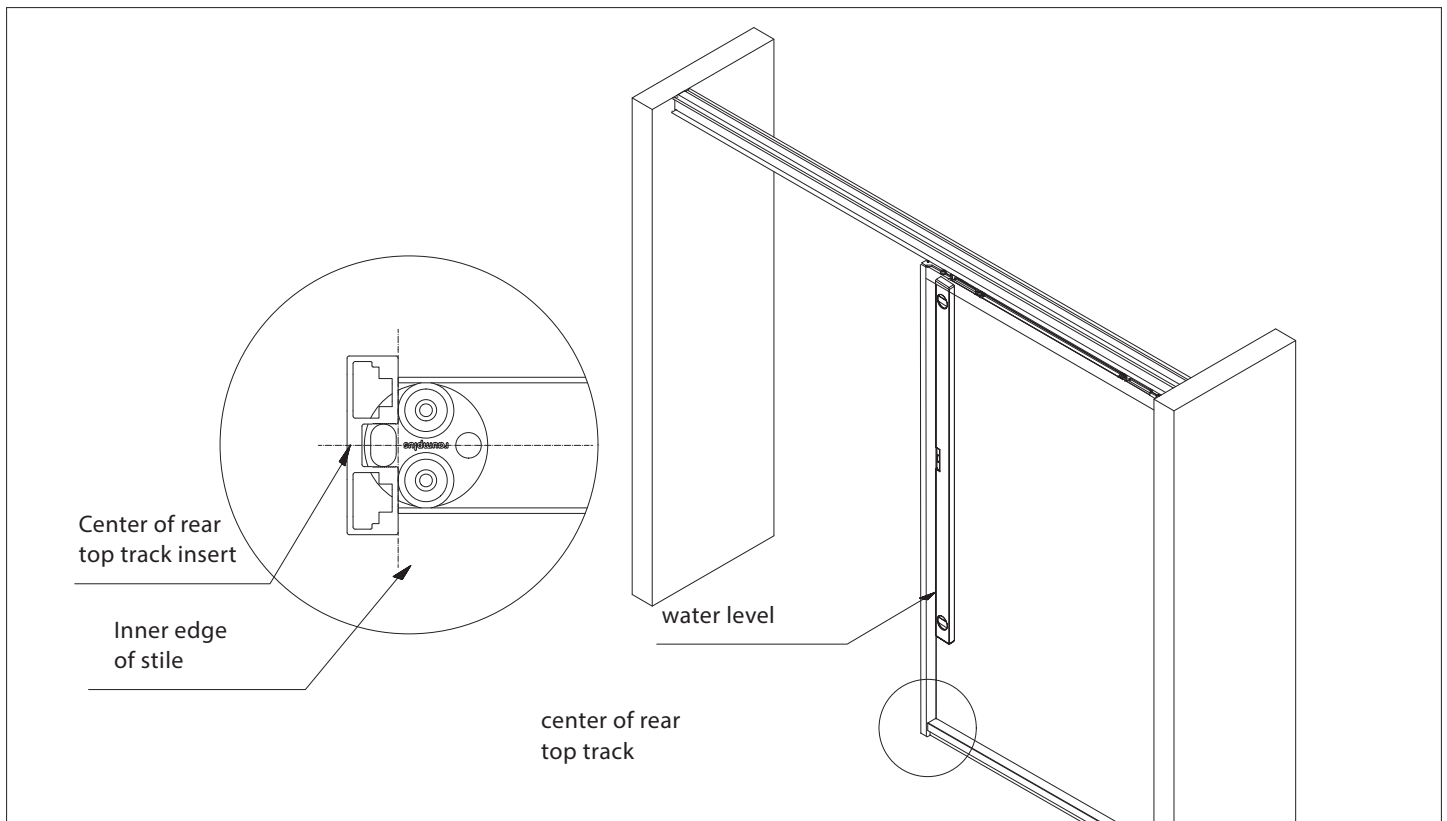
2_ Drill holes in ceiling / top of corpus and mount the rear top track horizontally (fig. w/o ceiling / corpus).

INSTALLATION INSTRUCTION

ADJUST SLIDING DOOR



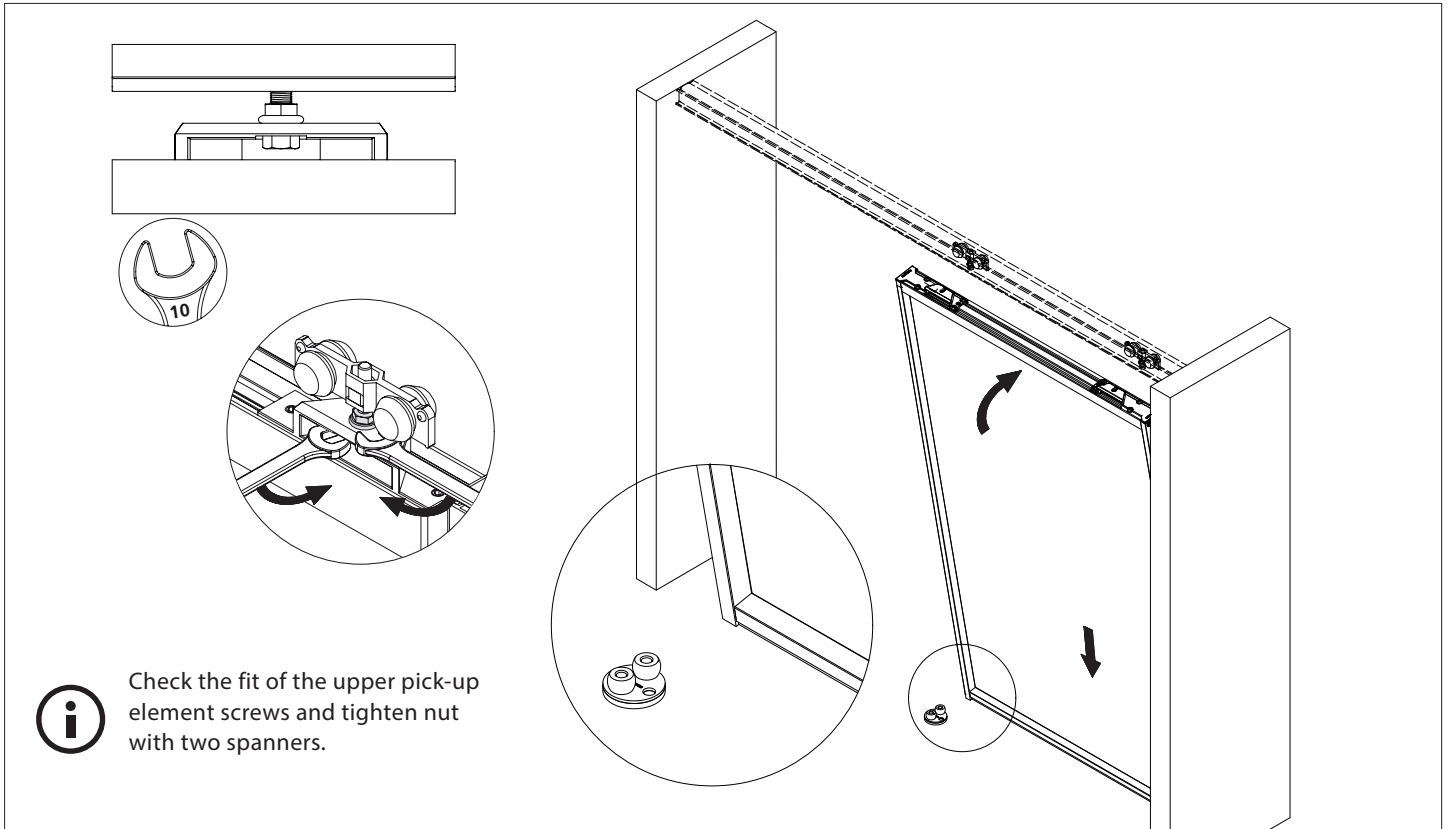
1_ Install the rear sliding door and adjust perpendicularly with the set screws – do not tighten yet.



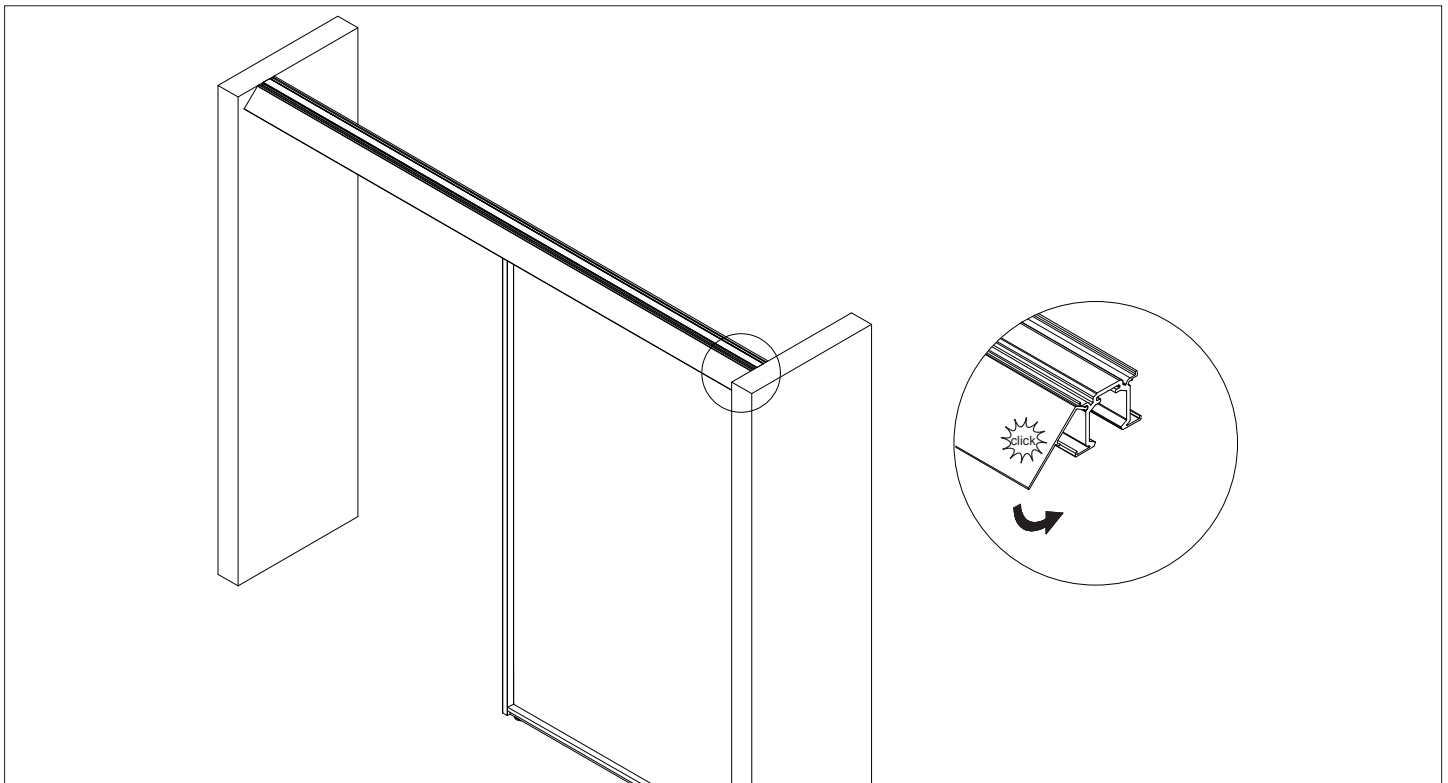
2_ Mark position of ground plate (masking tape / pencil), unhinge rear sliding door and mount ground plate.

INSTALLATION INSTRUCTION

BOTTOM GUIDING



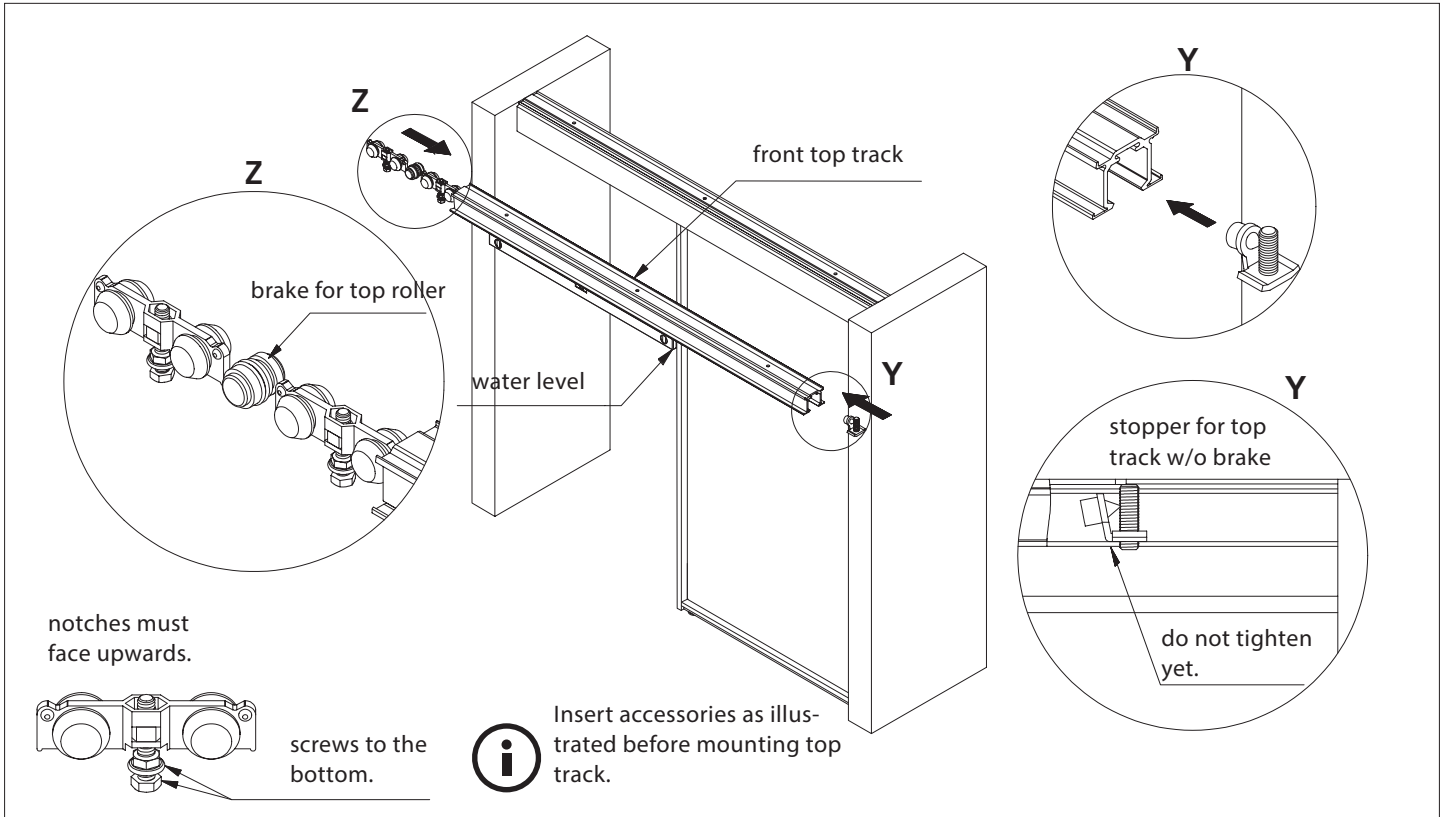
2_ Install rear sliding door, then tighten the counternuts at the pick-up elements.



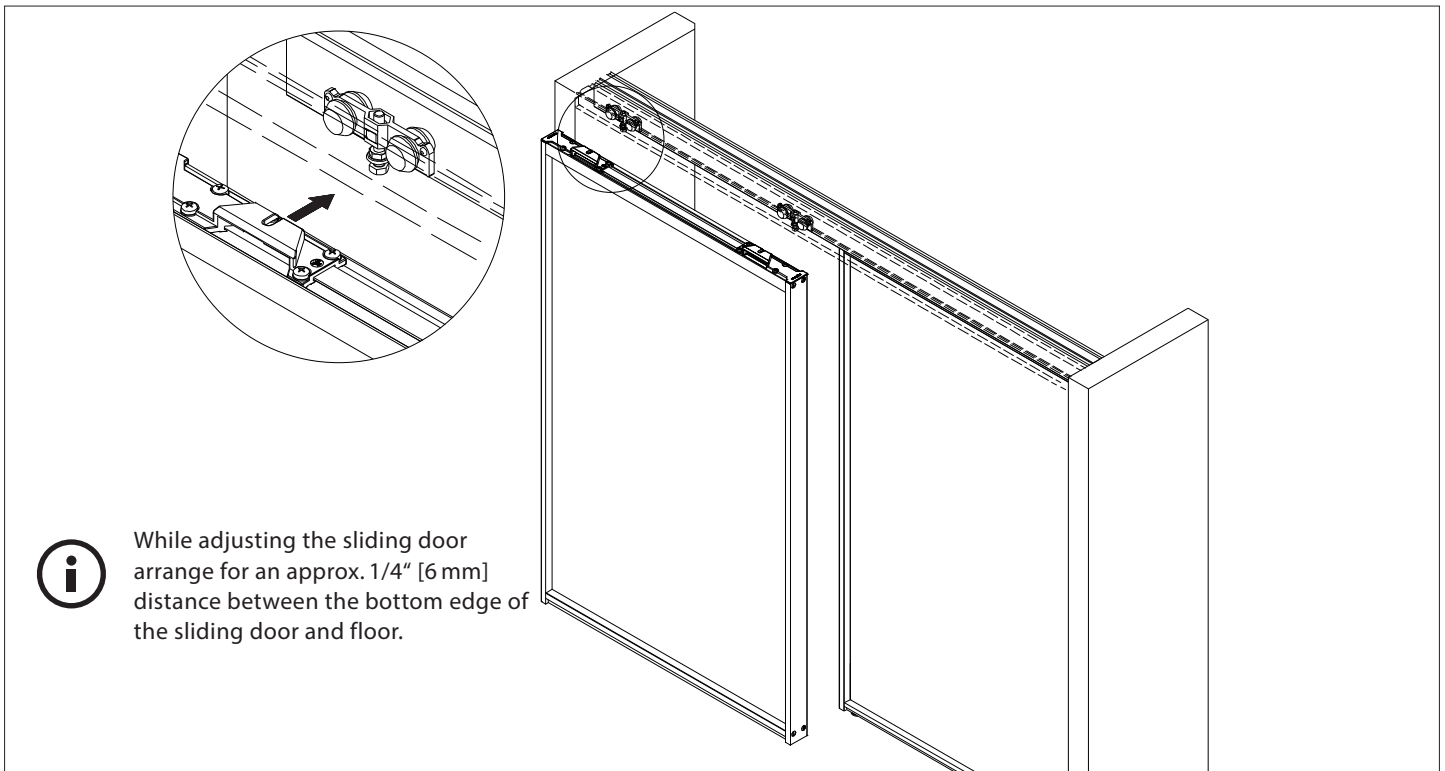
2_ Install middle insert profile (optional).

INSTALLATION INSTRUCTION

SECOND TOP TRACK



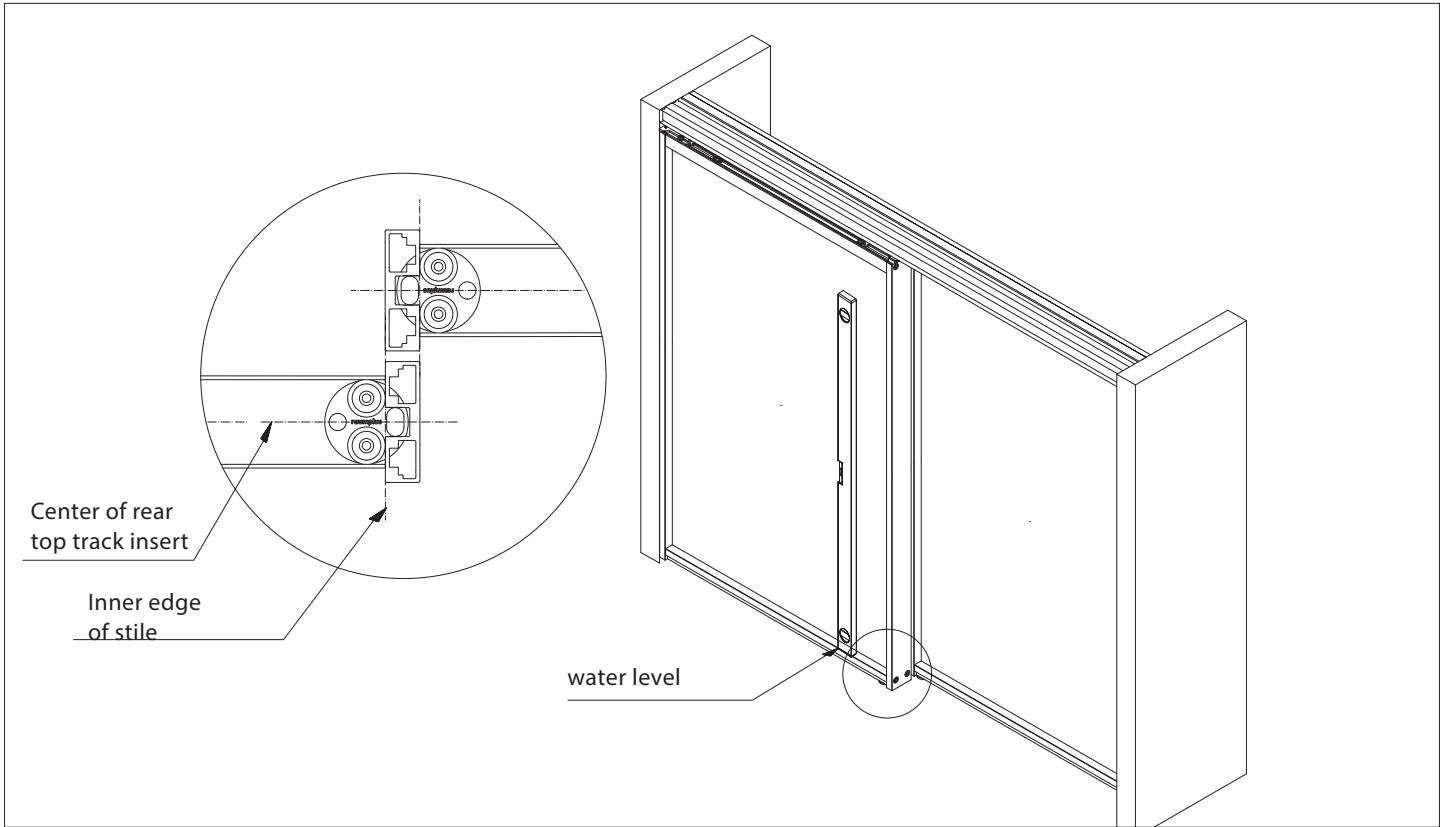
1_ Drill holes in ceiling / top of corpus and mount front top track horizontally (fig. w/o ceiling / corpus).



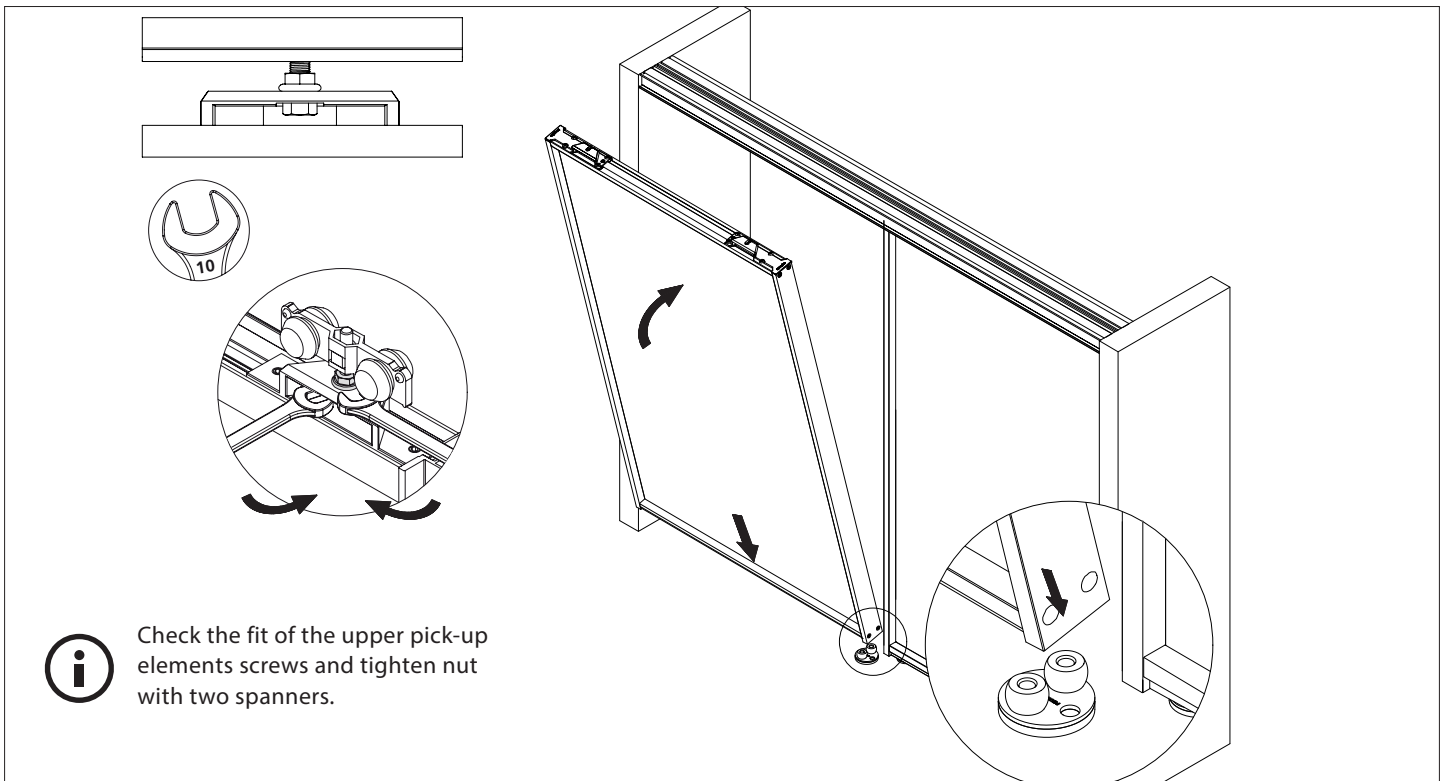
2_ Install front sliding door and adjust perpendicularly with the set screws – do not tighten yet.

INSTALLATION INSTRUCTION

BOTTOM GUIDE



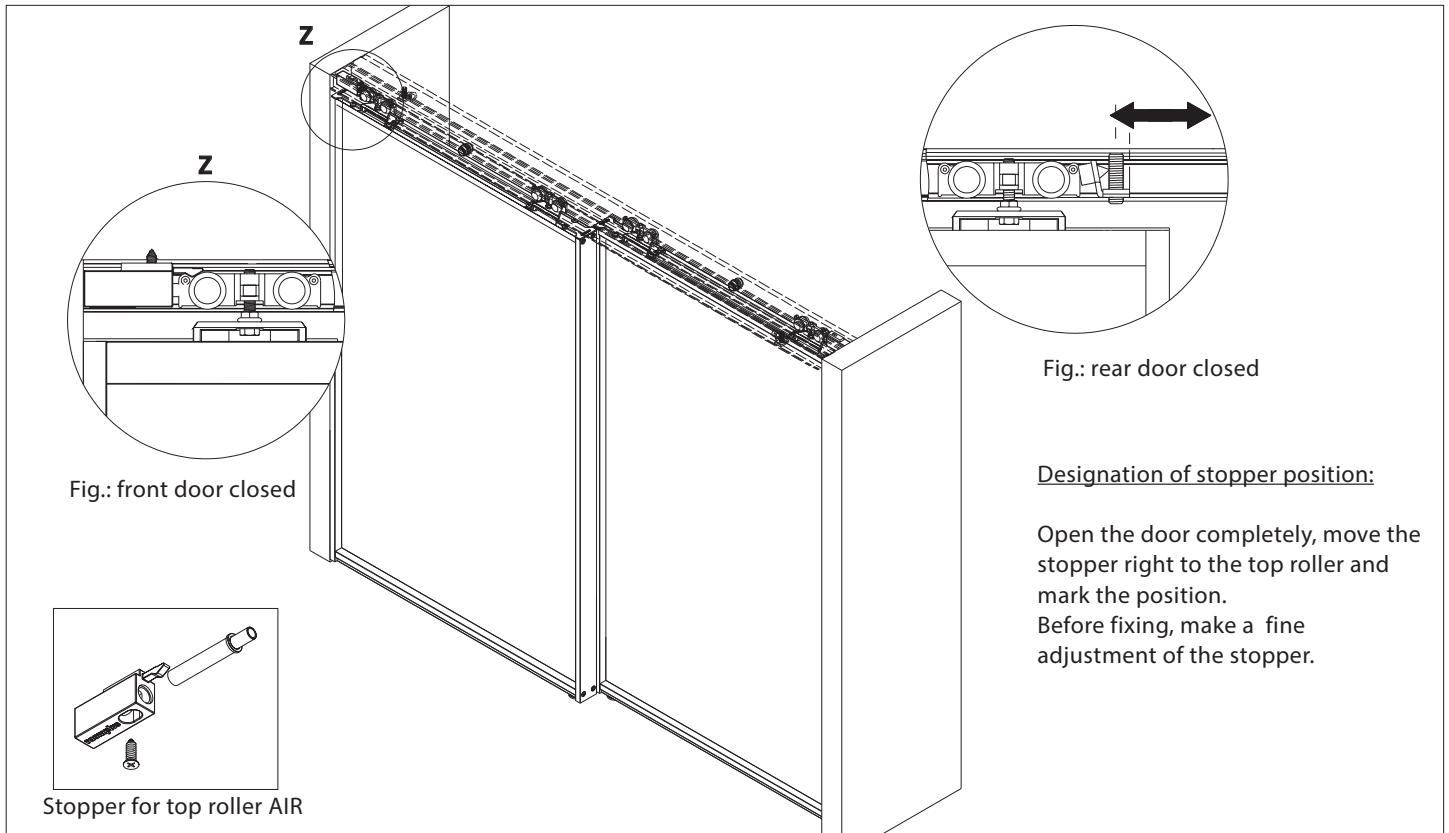
1_ Mark position of ground plate (masking tape / pencil), unhinge front sliding door and mount ground plate.



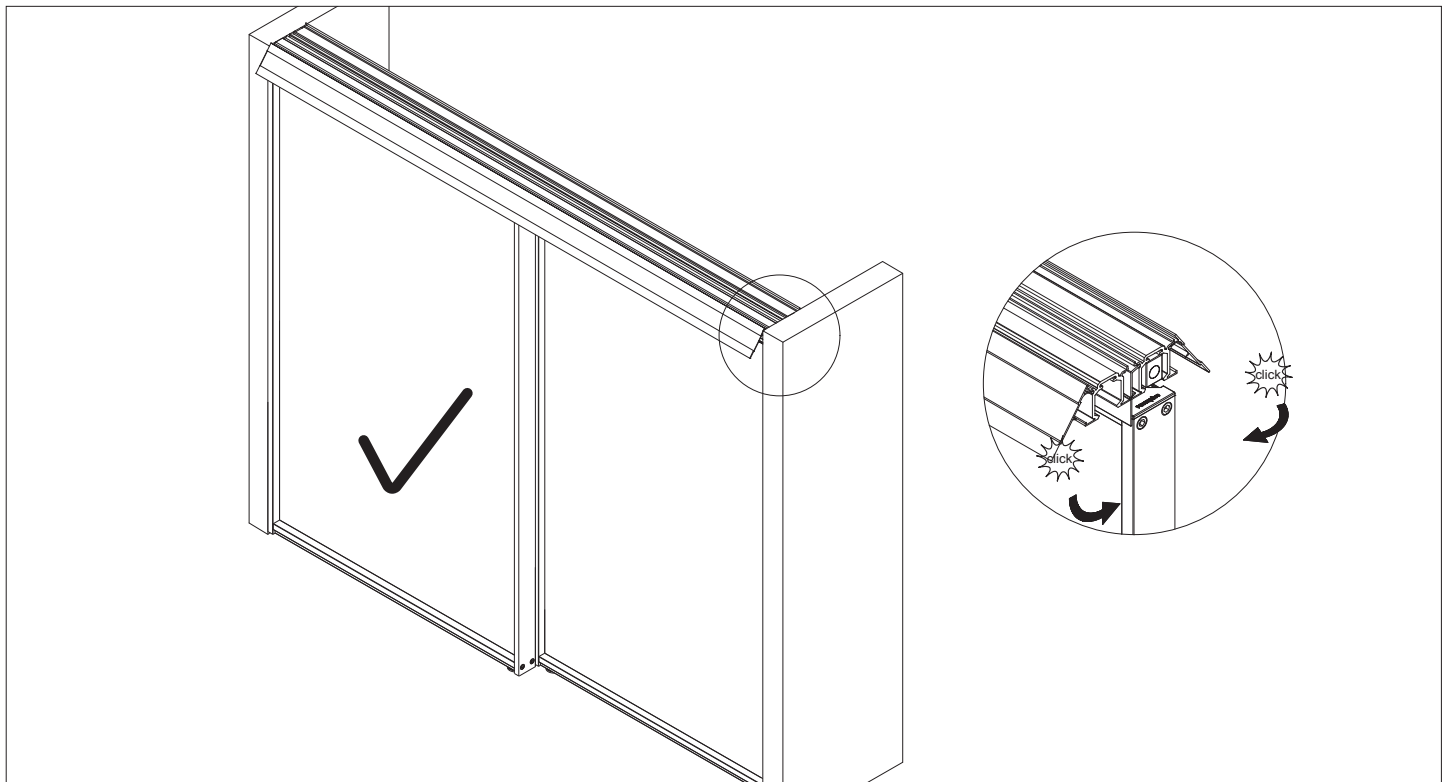
2_ Install front sliding door, then tighten the counternuts at the pick-up elements.

INSTALLATION INSTRUCTION

POSITION STOPPER



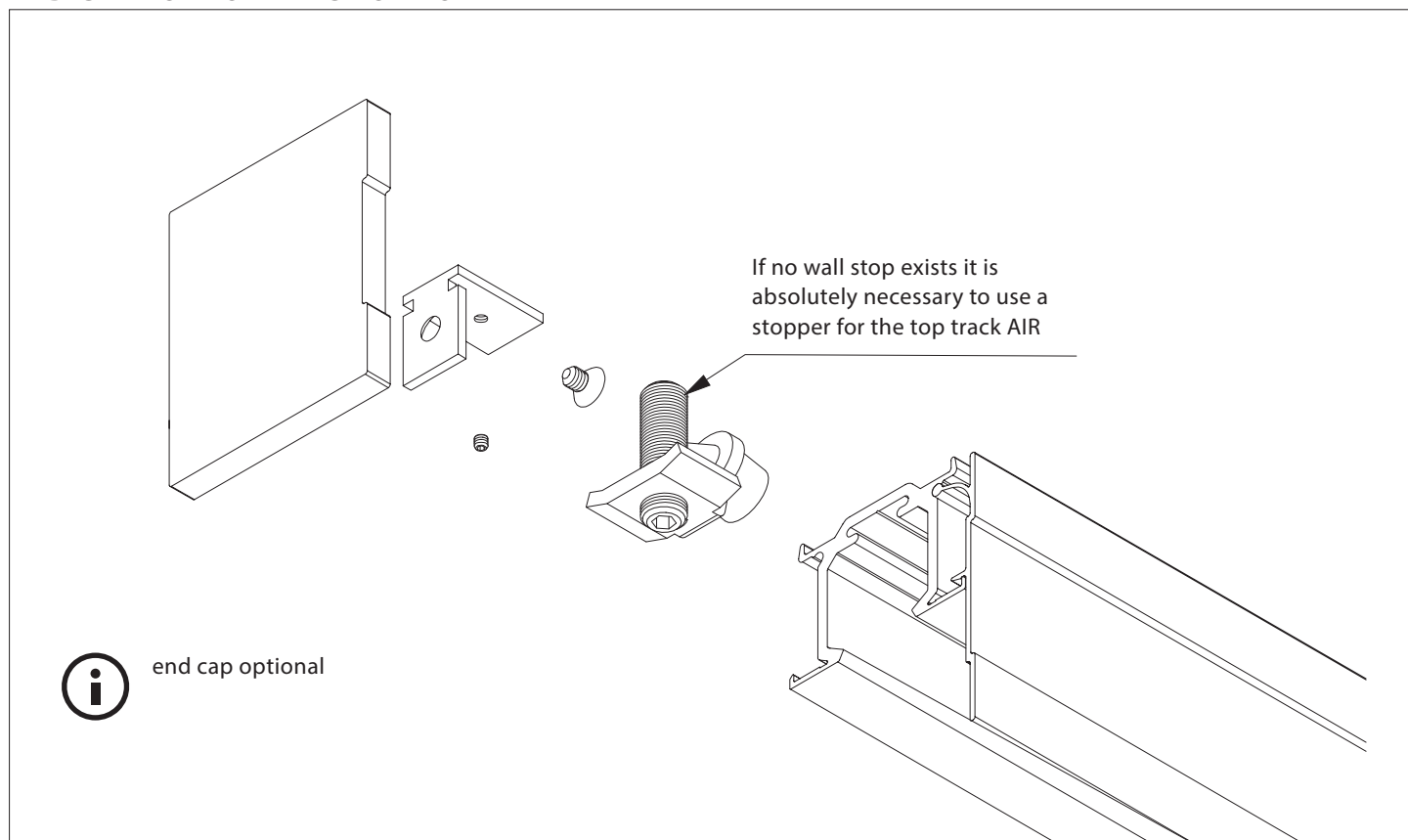
1_ Mount stopper for top roller AIR in both top track inserts at closing positions.



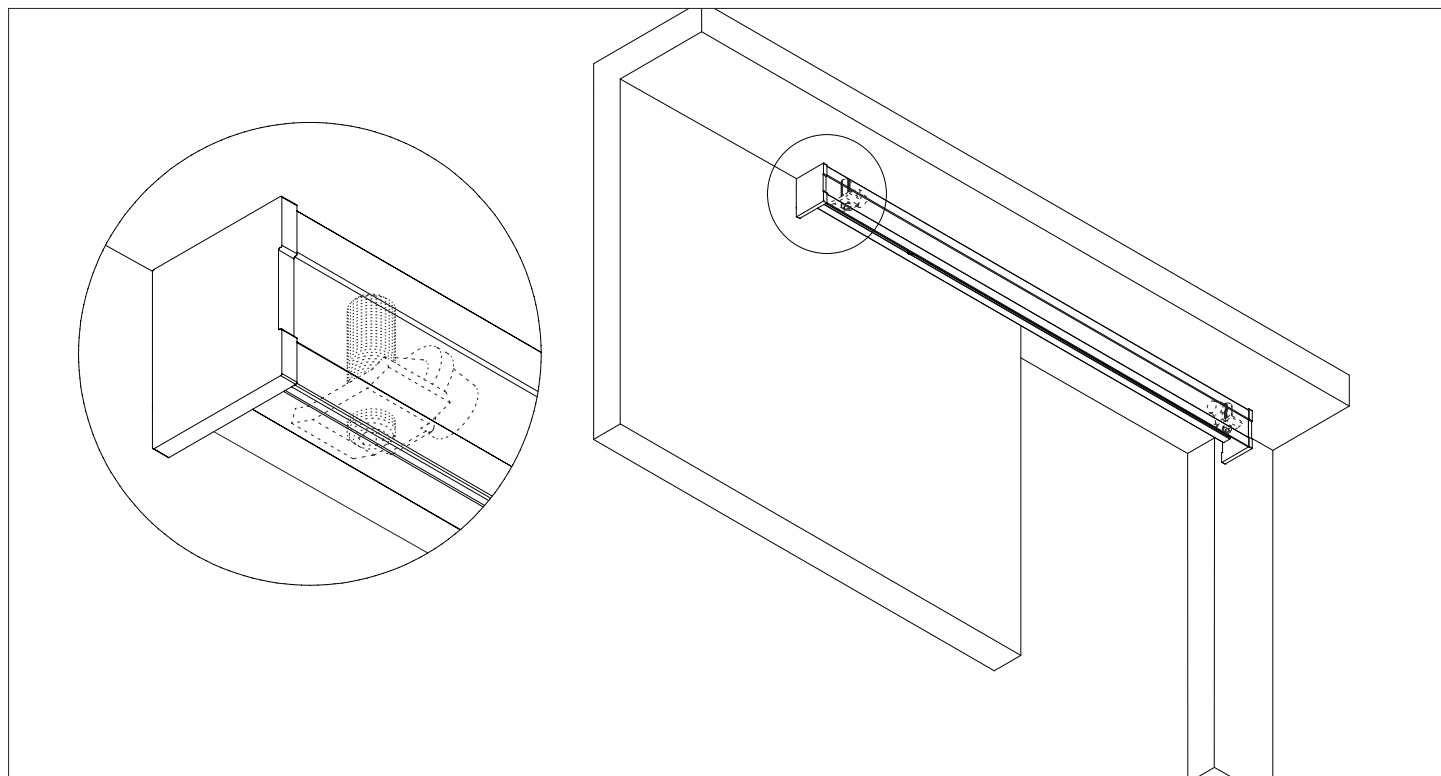
2_ Click covers for top track on front and back into place.

INSTALLATION INSTRUCTION

END CAP FOR TOP TRACK OPTIONAL



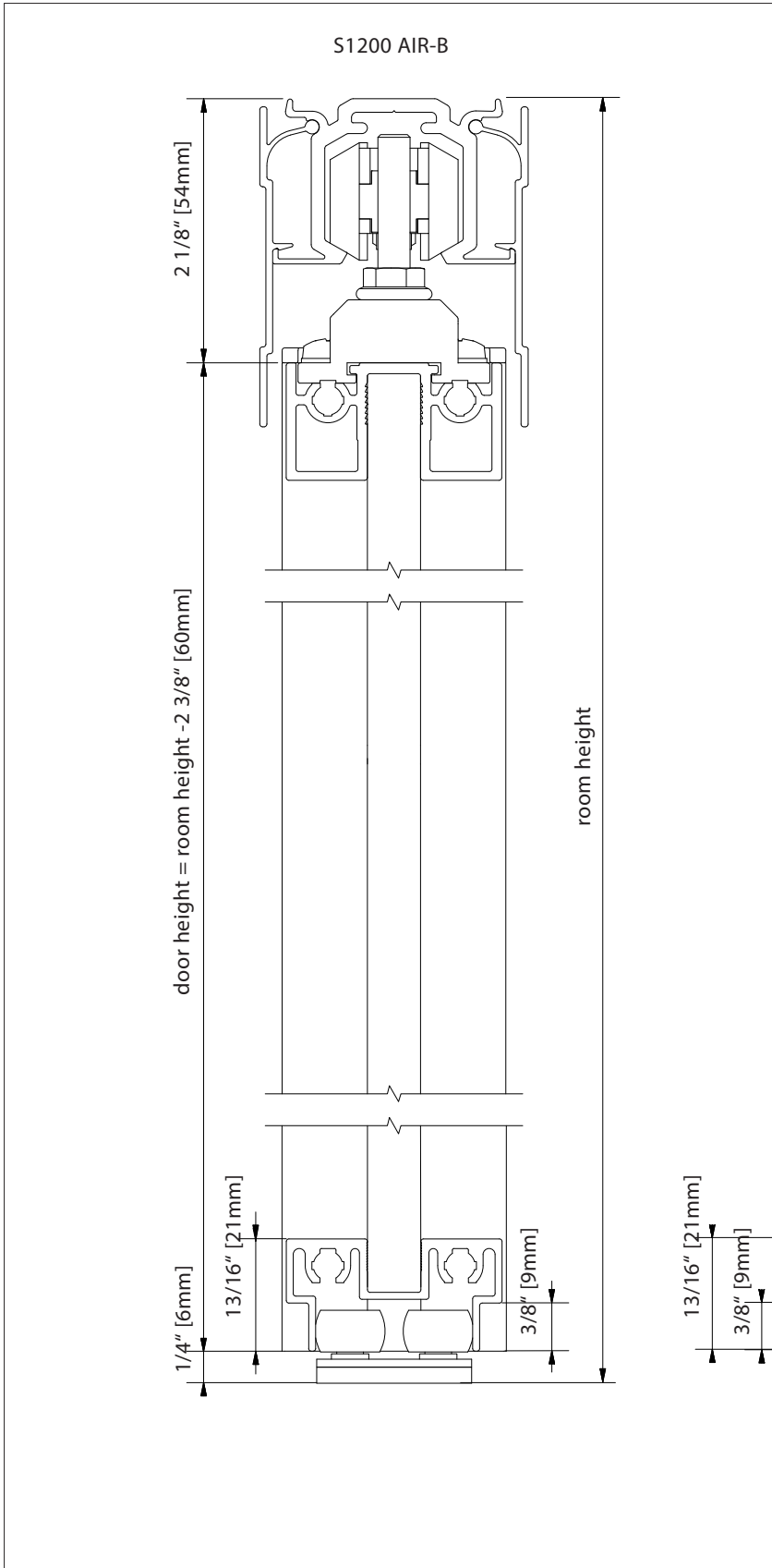
1_ End cap for wall connection profile, left / stopper for top track AIR.



2_ End cap for insert profile / stopper for top track AIR.

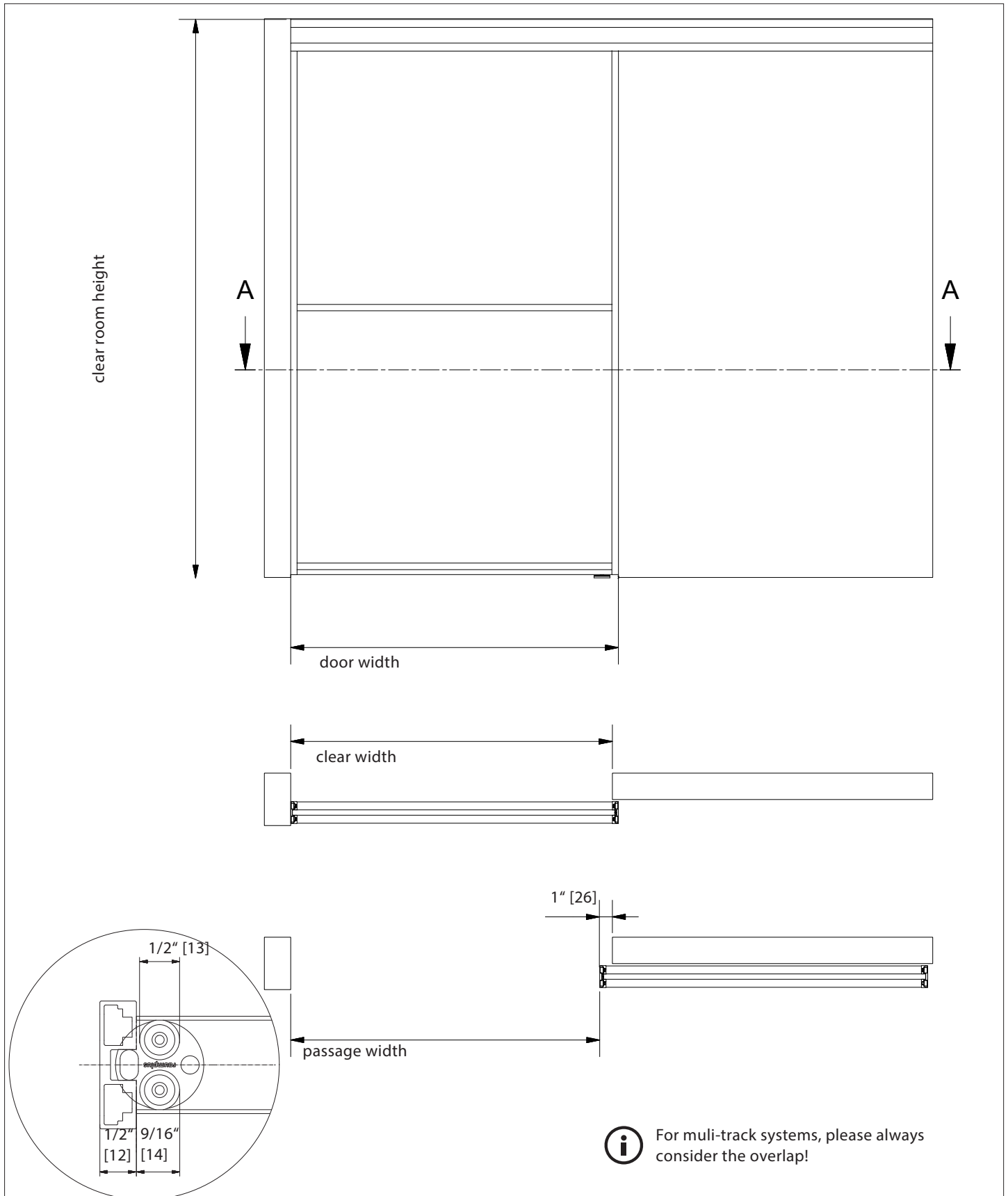
DETAIL DRAWING

SECTION DRAWING S1200 AIR-B / S1200 AIR-B SLIDING DOOR BRAKE



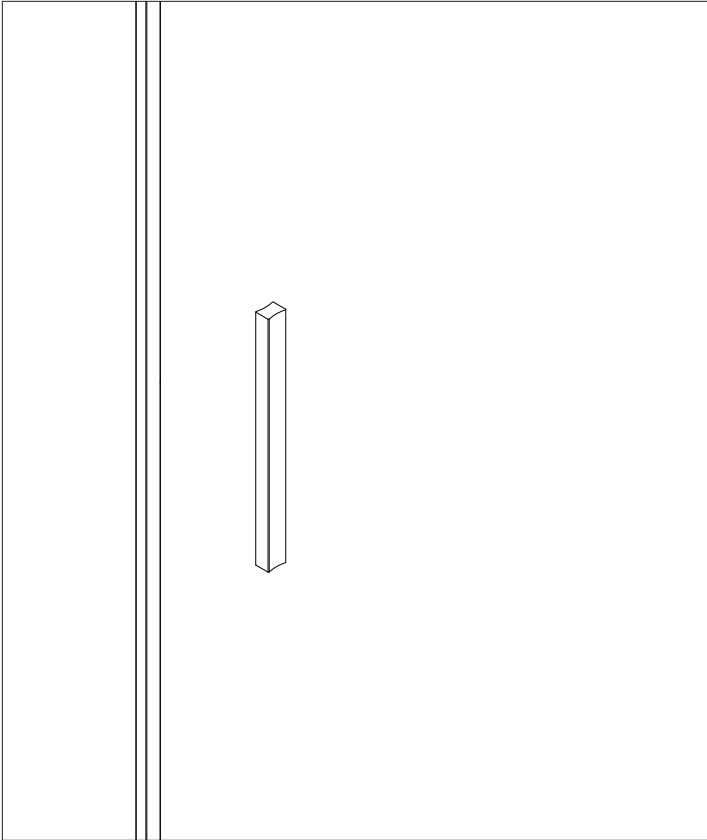
DETAIL DRAWING

TRAVERSING DISTANCE / DISCHARGE PASSAGE

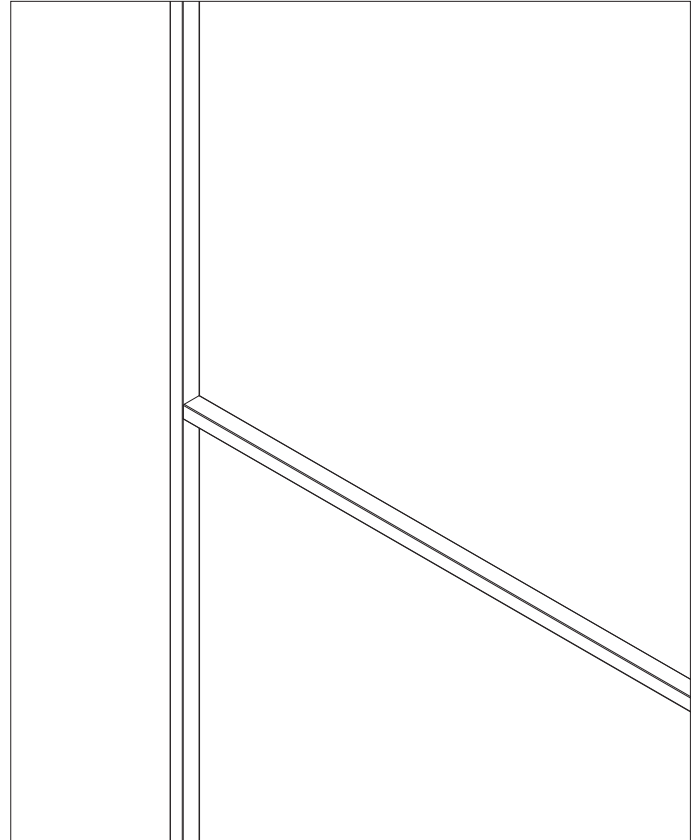


DETAIL DRAWING

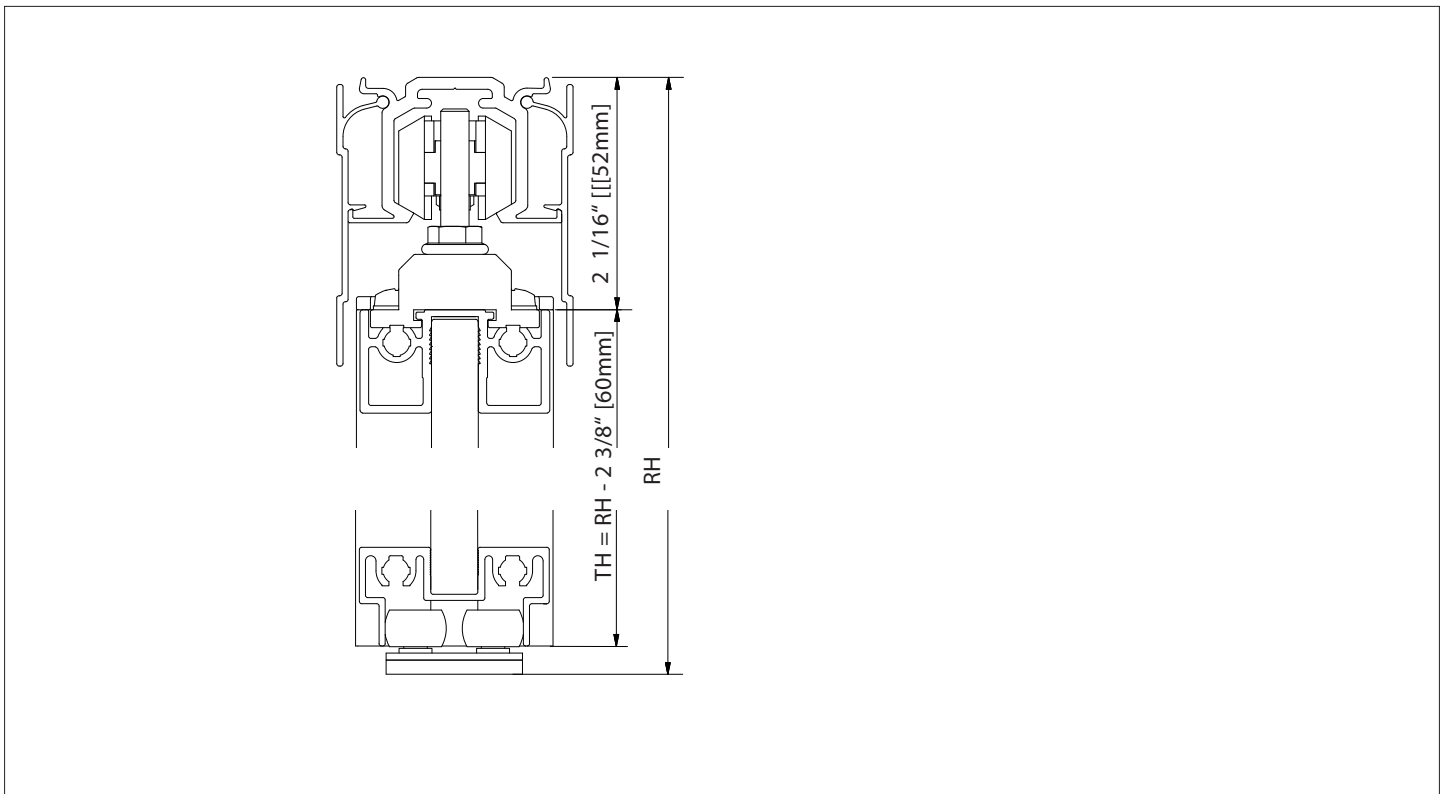
HANDLE OPTIONS



1_ Concave handle



2_ Dividing rail



DETAIL DRAWING

STOPPER FOR TOP ROLLER

